

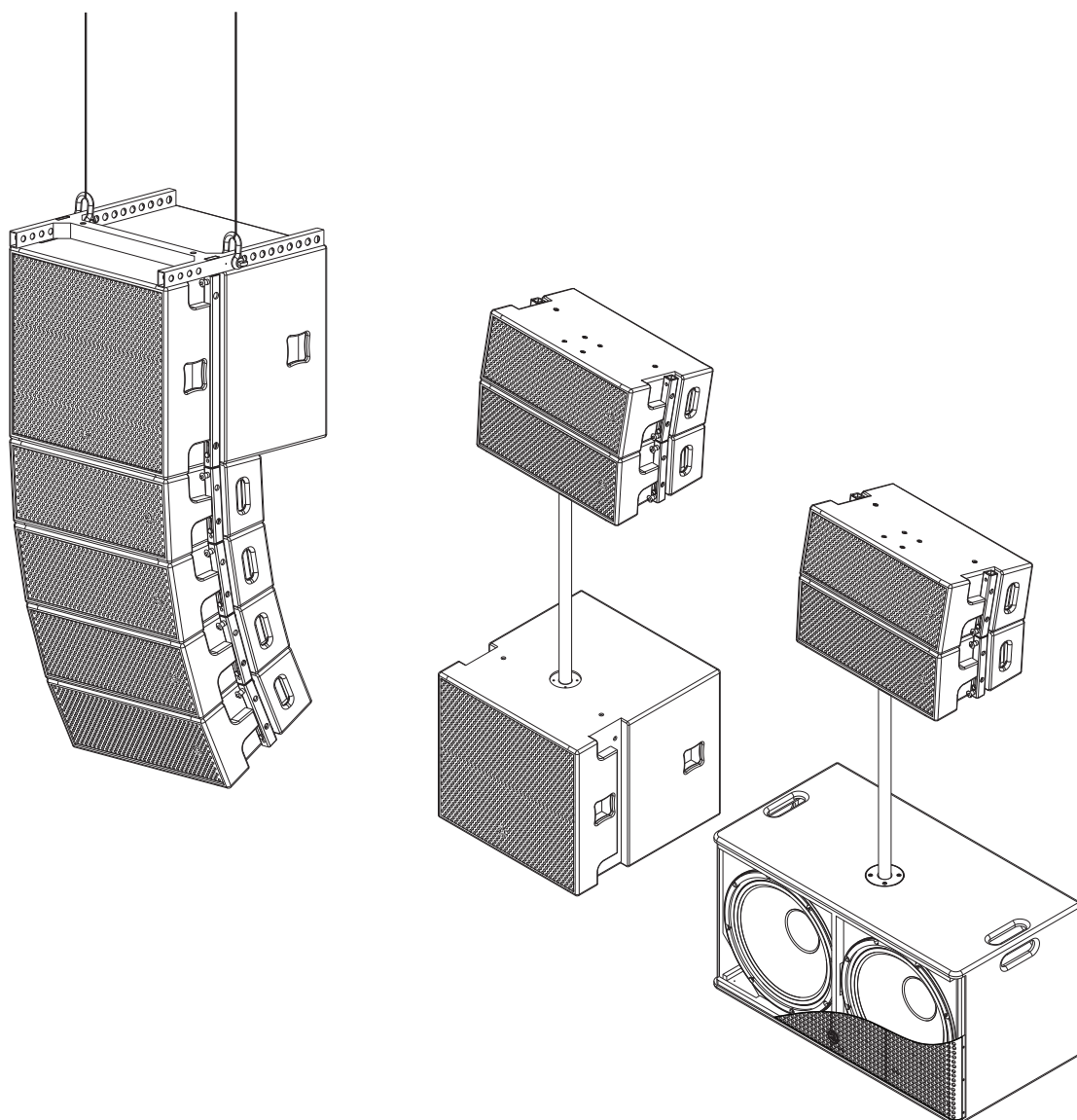


KS ARRAY

S E R I E S

User's Manual

KS T28A / KS 218A SUB / KS LT118A SUB



Important Safety Instructions



TO REDUCE THE RISK OF ELECTRIC SHOCK PLEASE DO NOT REMOVE THE COVER OR THE BACK PANEL OF THIS EQUIPMENT. THERE ARE NO PARTS NEEDED BY USER INSIDE THE EQUIPMENT. FOR SERVICE, PLEASE CONTACT QUALIFIED SERVICE CENTERS.



This symbol, wherever used, alerts you to the presence of un-insulated and dangerous voltages in the product enclosure. These are voltages that may be sufficient to constitute the risk of electric shock or death.



This symbol, wherever used, alerts you to important operating and maintenance instructions. Please read.



Protective Ground Terminal



AC mains (Alternating Current)



Hazardous Live Terminal

ON: Denotes the product is turned on.

OFF: Denotes the product is turned off.

CAUTION

Describes precautions that should be observed to prevent damage to the product.

1. Read this Manual carefully before operation.
2. Keep this Manual in a safe place.
3. Be aware of all warnings reported with this symbol.
4. Keep this Equipment away from water and moisture.
5. Clean it only with dry cloth. Do not use solvent or other chemicals.
6. Do not damp or cover any cooling opening. Install the equipment only in accordance with the Manufacturer's instructions.
7. Power Cords are designed for your safety. Do not remove Ground connections! If the plug does not fit your AC outlet, seek advice from a qualified electrician. Protect the power cord and plug from any physical stress to avoid risk of electric shock. Do not place heavy objects on the power. This could cause electric shock or fire.
8. Unplug this equipment when unused for long periods of time or during a storm.
9. Refer all service to qualified service personnel only. Do not perform any servicing other than those instructions contained within the User's Manual.
10. To prevent fire and damage to the product, use only the recommended fuse type as indicated in this manual. Do not short-circuit the fuse holder.

WARNING

To reduce the risk of electric shock and fire, do not expose this equipment to moisture or rain.



Dispose of this product should not be placed in municipal waste and should be separate collection.

Before replacing the fuse, make sure that the product is OFF and disconnected from the AC outlet.

11. Move this Equipment only with a cart, stand, tripod, or bracket, specified by the manufacturer, or sold with the Equipment. When a cart is used, use caution when moving the cart / equipment combination to avoid possible injury from tip-over.



12. Permanent hearing loss may be caused by exposure to extremely high noise levels. The US. Government's Occupational Safety and Health Administration (OSHA) has specified the permissible exposure to noise level. These are shown in the following chart:

Hours x day	SPL	Example
8	90	Small gig
6	92	Train
4	95	Subway train
3	97	High level desktop monitors
2	100	Classic music concert
1.5	102	
1	105	
0.5	110	
0.25 or less	115	Rock Concert

According to OSHA, an exposure to high SPL in excess of these limits may result in the loss of hearing. To avoid the potential damage of hearing, it is recommended that Personnel exposed to equipment capable of generating high SPL use hearing protection while such equipment is under operation.

The apparatus shall be connected to a mains socket outlet with a protective earthing connection.

The mains plug or an appliance coupler is used as the disconnect device, the disconnect device shall remain readily operable.

Table of Contents

1. PROLOGUE.....	4
2. FEATURES.....	4
3. USEFULL DATA.....	4
4. BACK PANEL DESCRIPTION.....	5
5. CONNECTION PLATE.....	8
6. LAYOUT OF THE CONNECTOR PANNEL.....	10
7. HARDWARE PARTS.....	13
8. FREQUENCY RESPONSE DIAGRAMS.....	14
9. WIRE CONNECTIONS.....	15
10. TECHNICAL SPECIFICATIONS.....	16
11. GUARANTEE.....	18
12. NOTES.....	19

- **KS T28A, KS 218A SUB, KS LT118A SUB** are Active Speakers for professional use, they can be used in following electro- magnetic environment: residential, commercial and light industrial, urban outdoors.
- When two or more **KS T28A** are arrayed together, it will induce strong peak inrush current. The Amplifier can protect themselves from strong current impact with stand-by function. The stand-by function will be activated automatically within 1 second when input signal is about -30dB. The DSP signal completely startup about 5s.

Don't forget to visit our website at www.topppro.com for more information about this and other Topp Pro products.

1

Prologue

Thank you for choosing **TOPP PRO**. The new **TOPP PRO MUSIC GEAR KS ARRAY** series cabinets have been Designed to provide a cost effective high grade solution while maintaining high quality construction and optimum components.

The **KS ARRAY** series is designed light weight powered loudspeaker systems and all new class D power amplifiers.

The **KS T28A** use 650 Watt continuous class D power module, and **KS 218A SUB** use 2000 Watt continuous class D power module. This series also breaks from the traditional loudspeaker paradigm, every model is fit with the identical 1.4" voice coil Compression Driver and woofer of high quality for unparalleled performance, regardless of speaker size. Extensive DSP processing is employed throughout, providing levels of sonic clarity and total output that defy the system's size and weight. Premium-grade materials, advanced construction processes and multiple mounting and suspension options allow for a wide range of live and installed applications. Great pride & care is placed in delivering products with excellent performance, specifications, and dependable reliability.

The **KS LT118A SUB** is a vented subwoofer equipped with a single custom high power 18" Subwoofer with 4" high-power sandwich copper voice coil on fiberglass former, double spider, ceramic magnet, and weather resistant cone. The enclosure is made with a 18mm multi-layer plywood, finished with anti-scratch black paint, with a strong perforated metal grille, four handles, one pole socket for satellite and four wheels.

Every **TOPP PRO** audio product is strictly tested and complied to very strict standards.

Please carefully read this manual before starting operation! Thank you again for choosing **TOPP PRO MUSIC GEAR KS ARRAY** series.

2

Features

KS T28A / KS 218A SUB / KS LT118A SUB

- 650W ClassD BI-AMP for **KST28A**, 2000W for **KS 218A SUB**, 3000W for **KS LT118A SUB**.
- Connectors: Input: Left Mono (Combo) / Right (XLR-F) / Output: Left Mono / Right (XLR-M), Link-Left / Mono-Right (XLR-M) Balanced 15 KOhms.
- Volume control / Power ON with green LED / Clip limiter with Red LED / Ground lift / IP Control Module (Optional).
- Protections: Thermal / Convection Fan / Overload / Digital Lim / Compressor.
- Neutrik POWER CON® connector, 110-120V/220-240V-50/60Hz Switchable.
- Plywood cabinet, resistant black paint, metal grille with foam, **KS T28A**, **KS 218A SUB** has double handle. **KS LT118A SUB** has four handle.
- One metal standard pole-mount.

3

Usefull Data

Please write your serial number here for future reference.

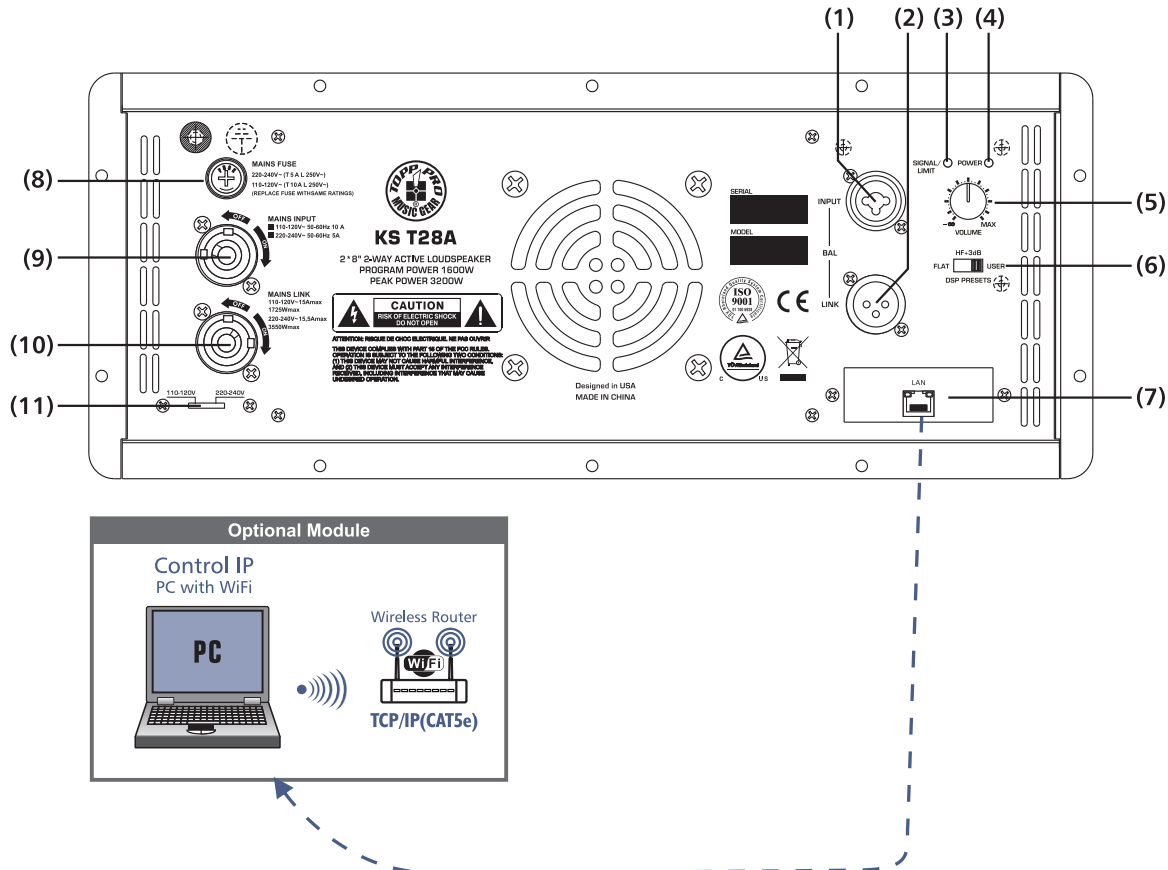
Serial Number:

Date of Purchase:

Purchased at:

Back Panel Description

Active Speaker KS T28A

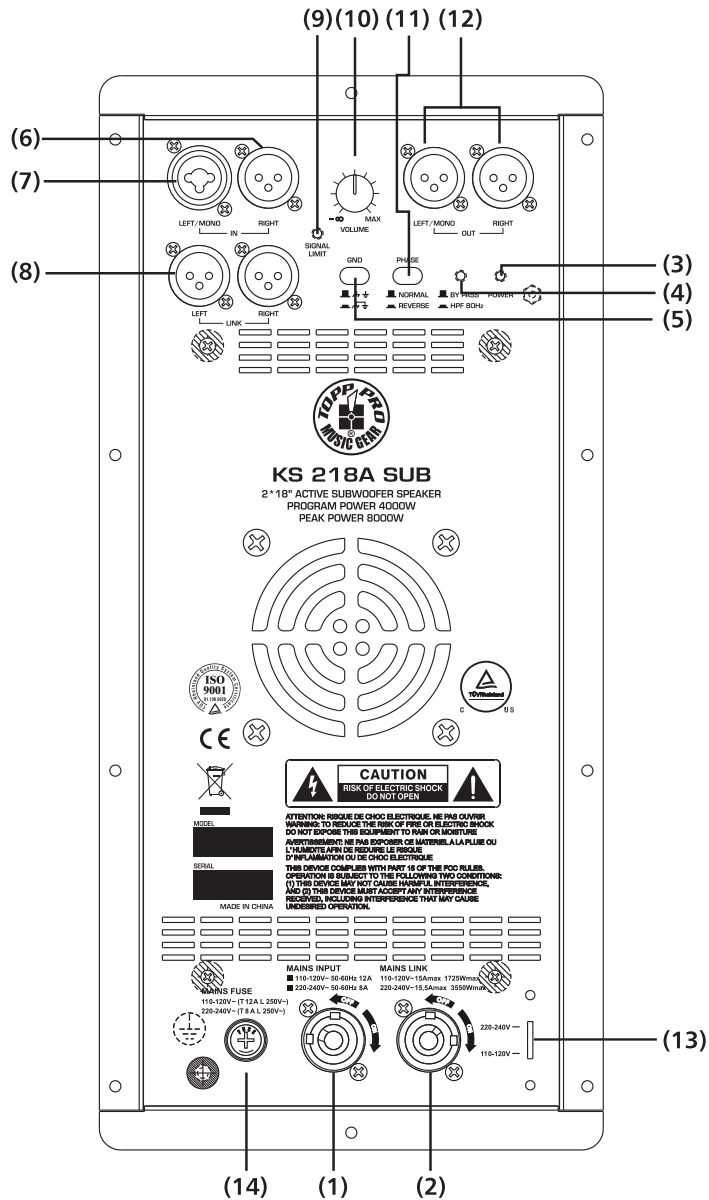


- (1) Line in with combo
- (2) Link on XLR
- (3) Clip LED indicator
- (4) Power LED
- (5) Volume control
- (6) DSP Presets: Flat/ HF + 3dB/ User (Custom Sound)
 - Flat: preset is suited for live sound reinforcement making sound more enjoyable.
 - HF + 3dB: preset is to emphasize high frequencies by +3dB.
 - User: preset is to change different EQ to match the voice that the user need sound, it can be done by connecting amplifier module to a PC via the LAN port by internet. (the factory preset of User is the same as Flat, after changed, it can be saved into the product)
- (7) IP Control Module (Optional)
- (8) Mains Fuse
- (9) Mains input
- (10) Mains link
- (11) AC input voltage selector

4

Back Panel Description

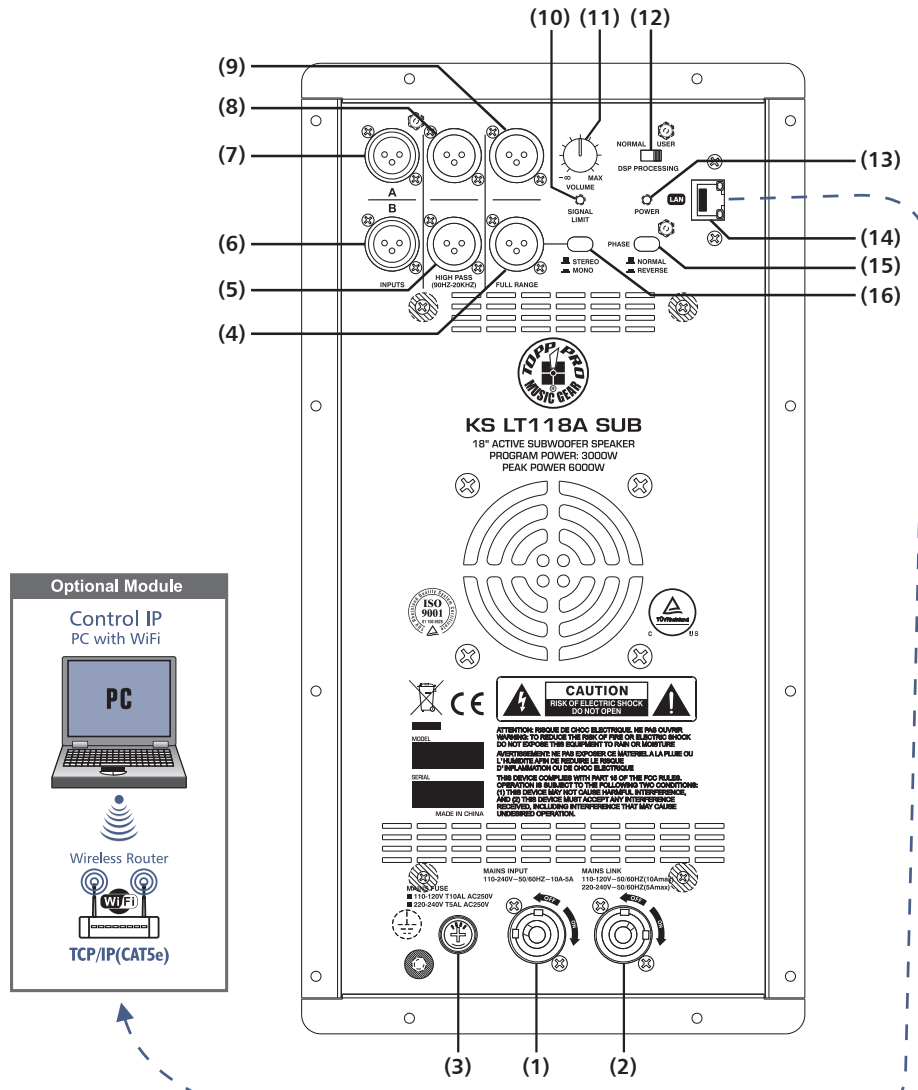
Active Subwoofer KS 218A SUB



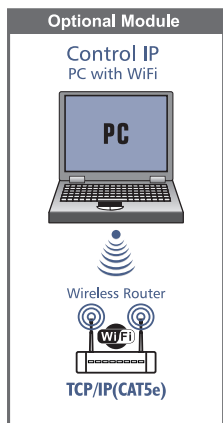
- (1) Mains Input
- (2) Mains Link
- (3) Power and activity indicator green LED
- (4) High pass filter or bypass selector
- (5) Ground selector (GND)
- (6) Right line input XLR connector
- (7) Left line mono input Combo connector
- (8) Left-Right Link XLR connector
- (9) Peak and signal presence red LED
- (10) Volume main power control
- (11) Normal / Reverse phase switch (Polarity)
- (12) Left-Right Line Output XLR connector
- (13) Voltage selector
- (14) Mains Fuse

Back Panel Description

Active Subwoofer KS LT118A SUB



- (1) Mains input
- (2) Mains link
- (3) Mains fuse
- (4) Full range output channel bon XLR connector.
- (5) High pass output channel bon XLR connector.
- (6) Input channel bon XLR connector.
- (7) Input channel a on XLR connector.
- (8) High pass output channel a on XLR connector.
- (9) Full range output channel a on XLR connector.
- (10) Signal/limit, red LED, indicate on status.
- (11) Volume main power amplifier control.
- (12) Processing: normal/user(custom sound)
 Normal: preset is suitable for subwoofer speakers to reinforce the low frequency, making the sound more enjoyable.
 User: preset is to change different EQ to match the voice that the user need sound, it can be done by connecting amplifier module to a PC via the LAN port by internet. (the factory preset of User is the same as Flat, after changed, it can be saved into the product).
- (13) Power. green LED, indicate on status.
- (14) IP control
- (15) Normal / reverse phase switch (polarity).
- (16) Stereo I mono switch (full range).



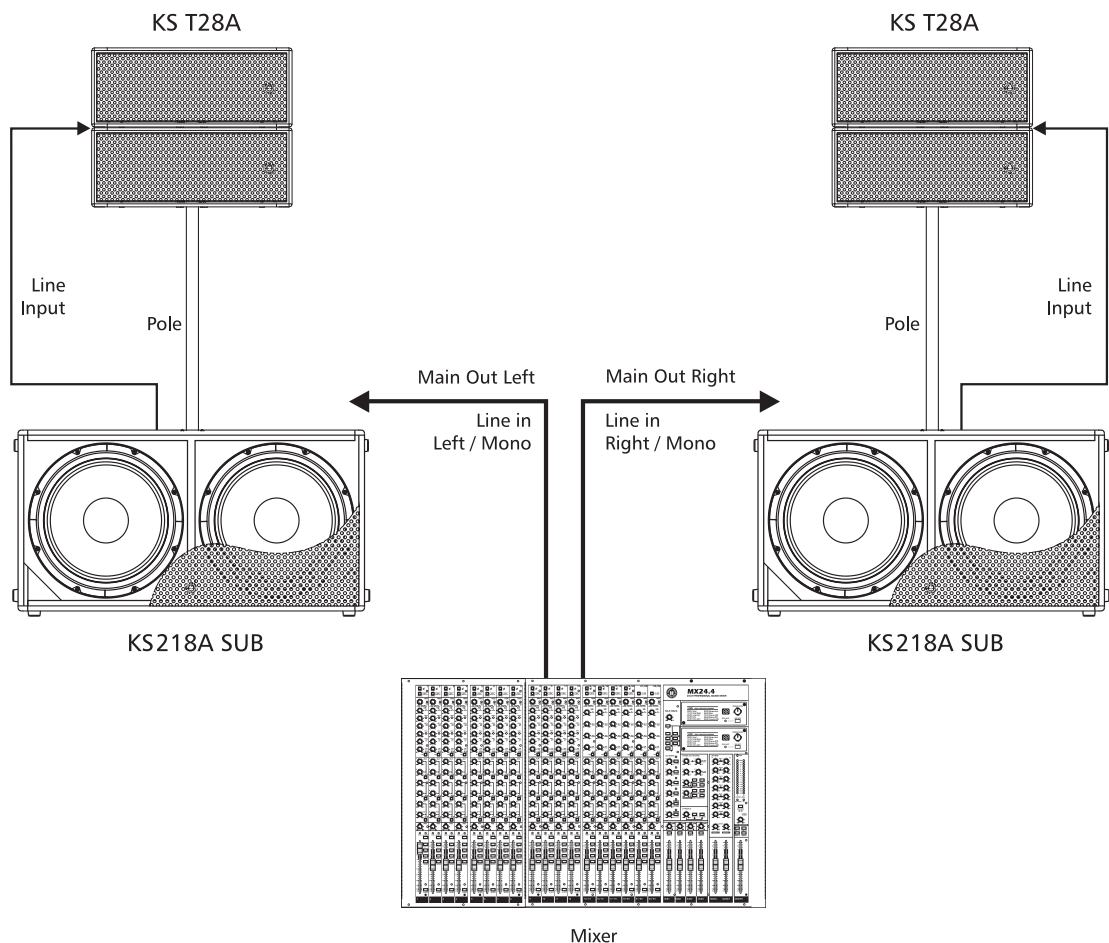
5

Connection Plate

Make your initial connections with all the equipment powered off, and ensure that all the main volume controls are turned down completely.

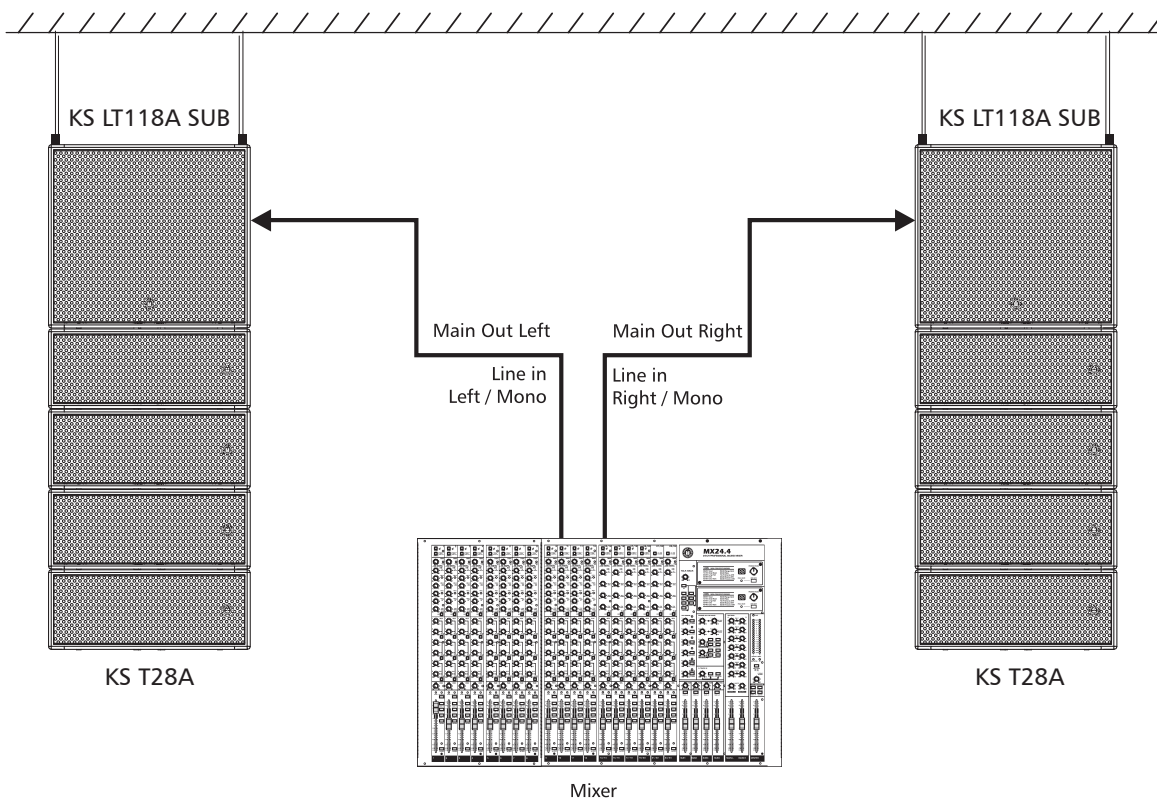
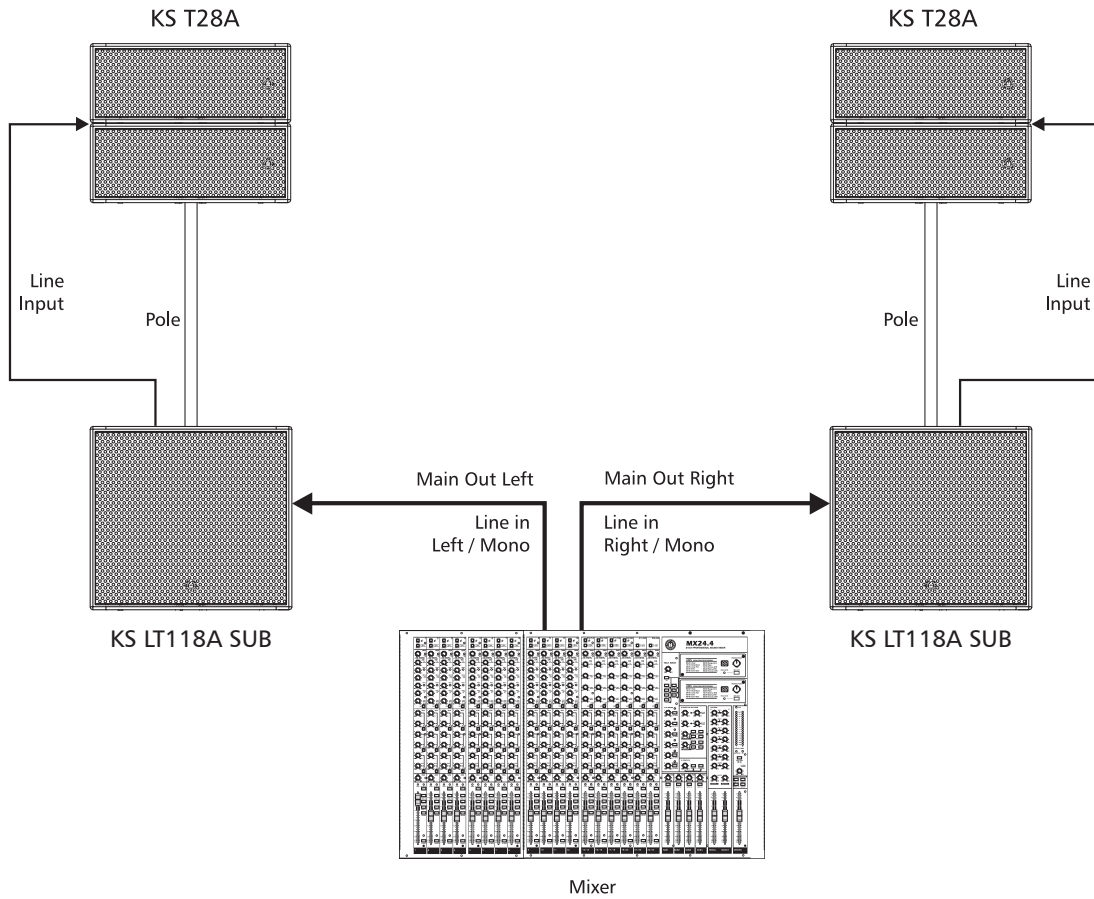
Two Active Subwoofers & Four Active Satellite Speakers

- 1) Connect one side of the signal cable at your mixer into the Output Left | Right and the other side of the cable into the Line Input of your active subwoofers.
- 2) Connect one side of another signal cable at your active subwoofers into Link Left/ Right or Out Left/ Right, and the other side of the cable into the Line Input Left/ Right of your active satellite speakers.
* If you connect into Out Left/ Right and press Bypass switch, the 80Hz HPF will be activated.
- 3) Connect the power cord to main.
- 4) Turn ON your mixer first. then the active speaker cabinets.
- 5) Turn up the volume control of the active speaker cabinets.
- 6) Use PFL function to get the proper input level for the mixer, and adjust the Main Mix Level control to reach the desired output level.
- 7) After use, turn off your active speaker cabinets first, then the mixer.



5

Connection Plate

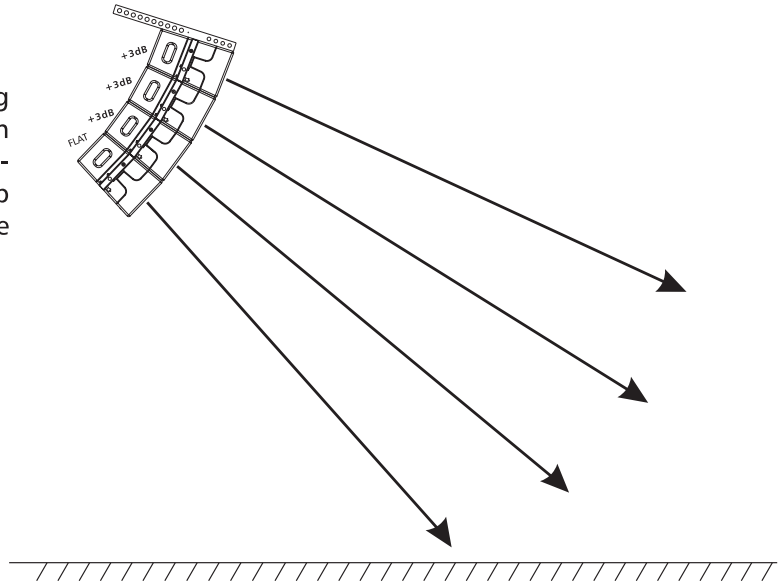


6

Layout of the connector panel KS ARRAY

Medium Array Configuration

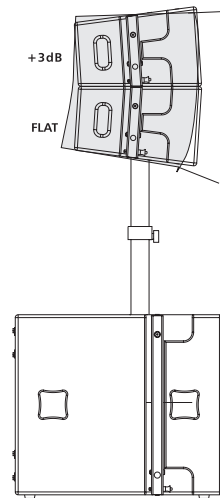
Below is an example of applying the HFC to four KS T28A's in an array. In this particular configuration, the HFC on the top speaker is set at +3dB, and the bottom speaker FLAT.



Small Array Configuration

This is an example of the HFC application with two KS T28A's in a small array, with the top speaker set at +3dB and the bottom speaker at FLAT. Do not stack more than two KS T28A speakers on the pole.

NOTE: Be sure to lock the two speaker cabinets with the original hardware.



Array Frame

The following table defines the maximum number of speakers that may be suspended using the **FB-1 Array Frame**. A security design factor is maintained for the speaker configurations indicated in the table.

Maximum quantity of KS T28A in array (satellite)	2	3	4	5	6
Maximum quantity of KS LT118A SUB in array	1	1	1	0	0

Suspension Safety Warning

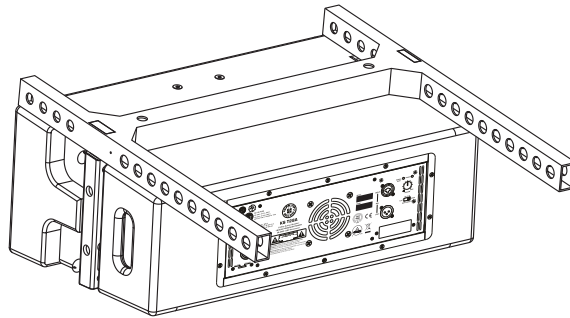
Never exceed the maximum recommended speaker cabinet listed on the table.

Research and understand the local regulations and requirements of the country where you intend to install the line array. The correct assembly of all associated hardware is required for a safe suspension system. Two point suspension with uniform loading of each lifting location is recommended when using **Array Frame FB-1**.

Layout of the connector panel KS ARRAY

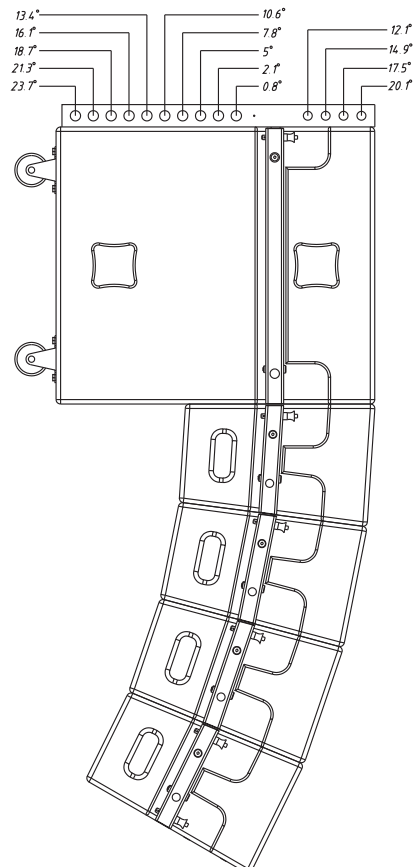
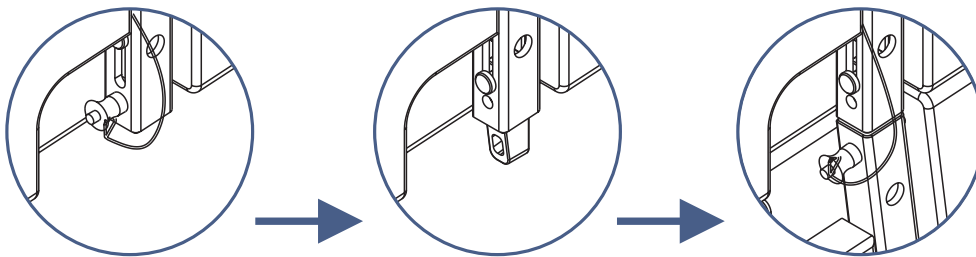
Array Frame Connection

The Flying Bar frame is connected to KS T28A hardware with KS ARRAY quick release pins.



Locking the loudspeakers together

Any time two or more KS LT118A SUB and KS T28A are arrayed together, they must be mechanically secured to each other. See diagram below for details.

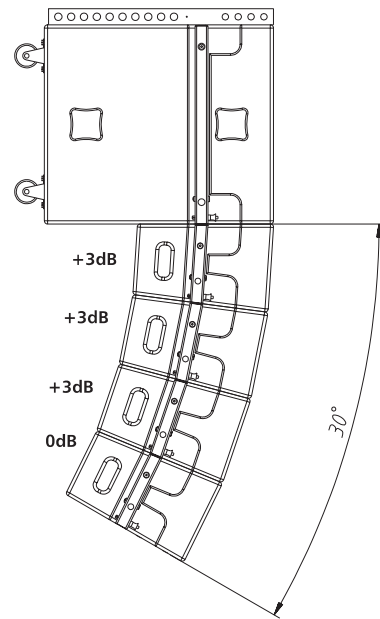
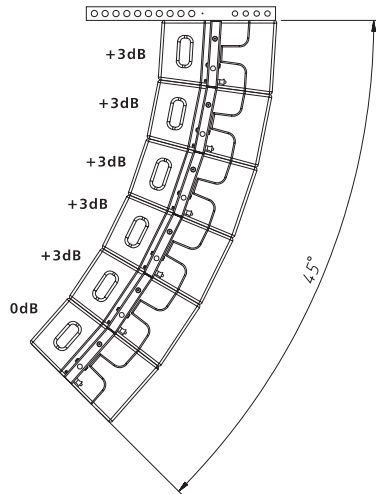


6

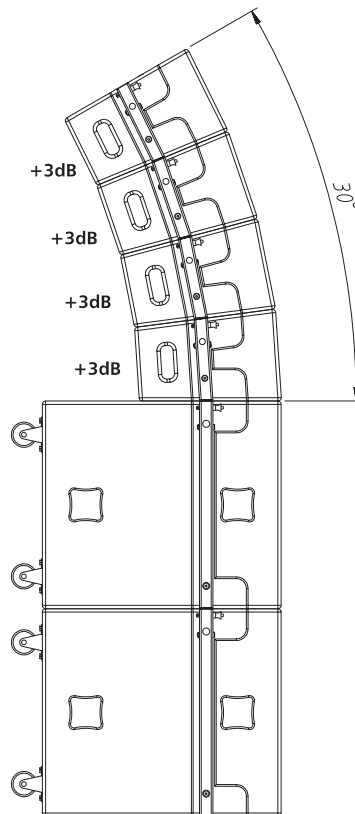
Layout of the connector panel KS ARRAY

Deploying the system in Suspension & Compression

Suspension

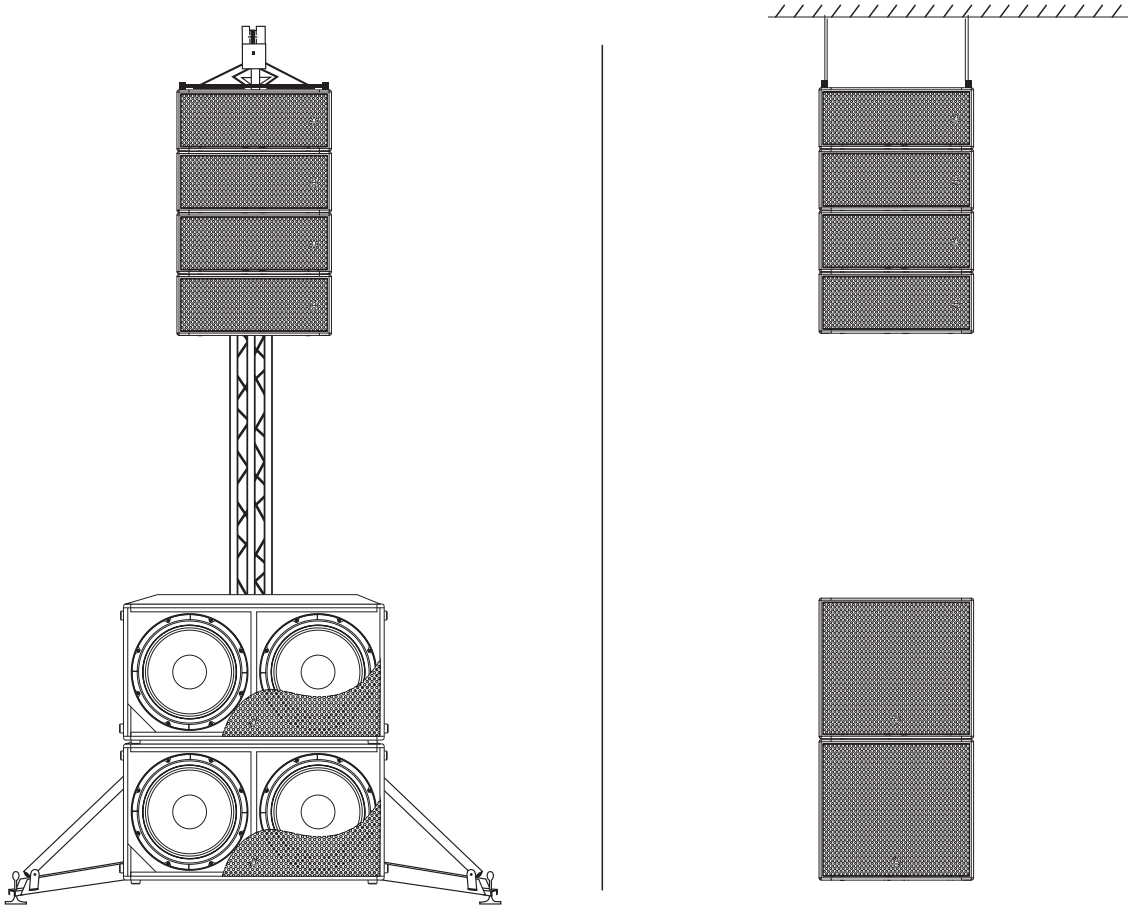


Stack



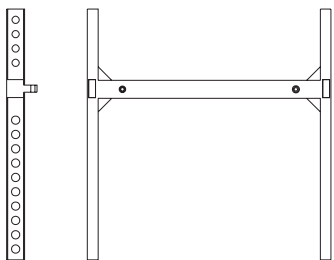
Layout of the connector panel KS ARRAY

6

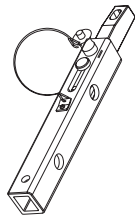


Hardware Parts

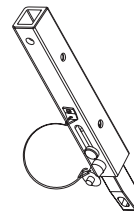
7



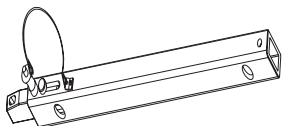
H Type Flying Bar



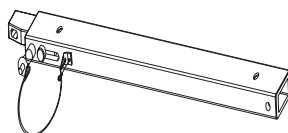
L Hardware for
KS ARRAY KS T28A



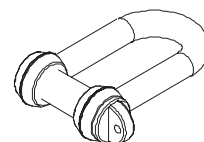
R Hardware for
KS ARRAY KS T28A



L Hardware for
KS ARRAY KS LT118A SUB



R Hardware for
KS ARRAY KS LT118A SUB

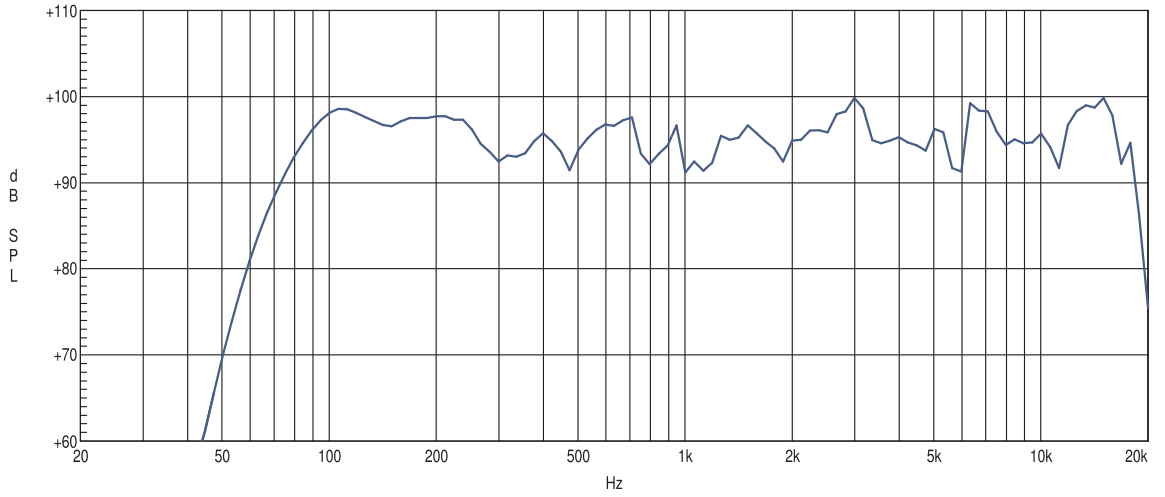


U Bolt for flying bar

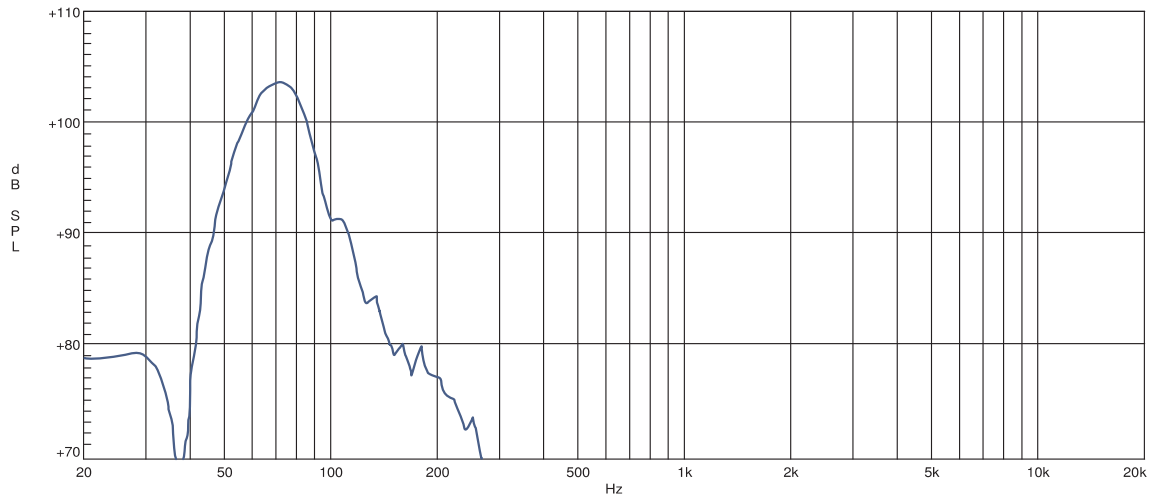
8

Frequency Response Diagrams

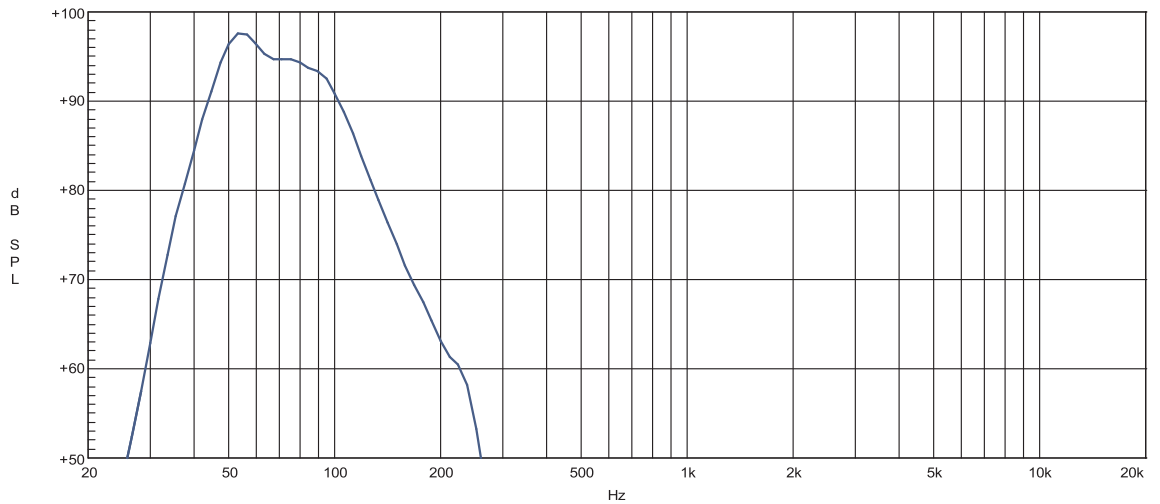
KS T28A



KS 218A SUB

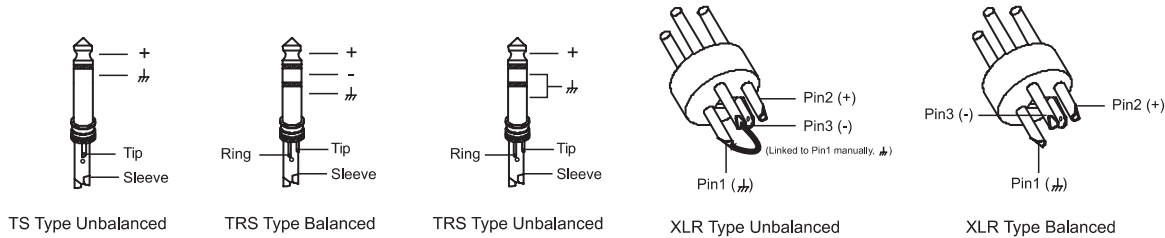


KS LT118A SUB



Wire Connections

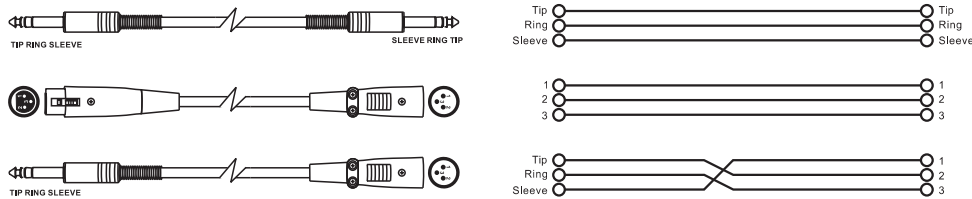
Either the 1/4" TRS phone jack or XLR connector can be wired in balanced and unbalanced modes, which will be determined by the actual application status, please wire your system as the following wiring examples:



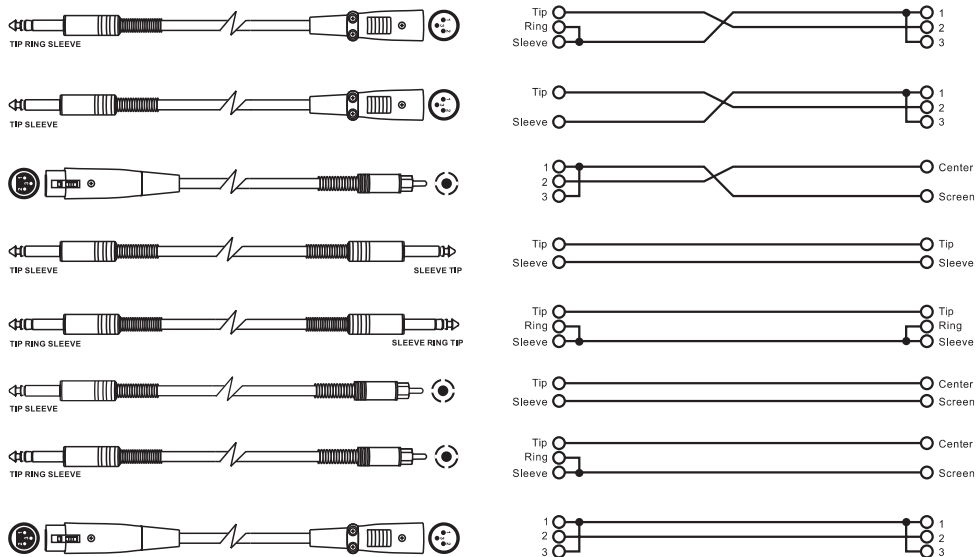
In-line Connection

For these applications the unit provides 1/4" TRS and XLR connectors to easily interface with most professional audio devices. Follow the configuration examples below for your particular connection:

Balanced

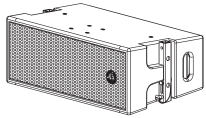


Unbalanced

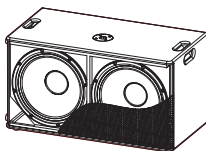


10

Technical Specifications



Model Active	KS T28A
System Type	2-Way Active Vented Speaker with DSP
Transducer Low	2 x 8" Woofer, 2" voice coil
Transducer Driver	2 x 1" Titanium diaphragm, neodymium magnet, 1.4" voice coil
Coverage Horizontal	100° nominal, single unit
Coverage Vertical	7.5° variable with array configuration
Frequency Response (-6dB)	65Hz - 20KHz
Crossover Frequency	At 2.0K Hz with 24dB filter slope, DSP process
Max SPL	129dB Max.
AMP Power Output	800W Continuous, Bi-AMP (Class D-650W LF, Class AB-150W HF), 1600W Peak
Input Connector	Line in - Combo / Link-XLR
Dsp Presets	Flat / HF +3dB / User (Customer Sound)
Line Input	Combo Connector -6dBu
External Controls	Volume Control / Neutrik POWER CON® connector (Grey) offers linking the mains power supply power display with green LED / Clip Limiter with Red LED / IP Control Module (Optional)
Electronic Protections	Thermal / Convection-Fan / Overload / Digital Lim. / Compressor
Power Supply	Neutrik POWER CON® connector, 110-120V / 220-240V ~ 50/60Hz Switchable
Suspension/Mounting:	Integrated hardware for suspension in Line Array, dual pole socket, two handles
Enclosure Construction	18mm calibrated plywood, black painted finish, 1.2T metal grille, power coating finish with internal foam
Dimensions (HxWxD)	271.5 (10.7") x 692 (27.25") x 423.5mm (16.7")
Net Weight	29.1kg / 64.15Lbs

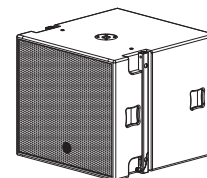


Model Active	KS 218A SUB
System Type	Active Subwoofer
Power Rating	2000W Class D
Woofer	2 x 18" Woofer, 3" Voice Coil
Max. SPL	133 dB
Frequency Response (-6dB)	35Hz to 120Hz
Crossover Frequency	Low pass band type 12dB/oct, Analog processor.
Connectors	Input: Left Mono (Combo) Right (XLR-F) Output: Left Mono Right (XLR-M), Link-Left / Mono-Right (XLR-M)
External Controls	Volume Control / Neutrik POWER CON® connector (Grey) offers linking the mains power supply / Phase Switch / HPF-100Hz for L - R Satellite or By Pass / Power ON with Green LED / Clip Limiter with Red LED / Ground Lift
Electronic Protections	Thermal / Convection-Fan / Overload / Lim/Compressor
Power Supply	Neutrik POWER CON® connector, 110-120V / 220-240V-50/60Hz Switchable
Enclosure Construction	Plywood cabinet, resistant black paint, metal grille with black foam, rubber feet, double handles
Mounting	One metal standard pole-mount
Dimensions (HxWxD)	535mm (21.06") x 518mm (20.41") x 1000mm (52.36")
Net weight	46.64Kg / 102.82Lbs.

Technical Specifications

10

Model Active	KS LT118A SUB
System Type	Active Subwoofer
Power Rating	Program 3000W, Peak 6000W
Woofers	18" Woofer, 4" Voice Coil
Max. SPL	132 dB
Frequency Response (-6dB)	38Hz to 120Hz
Crossover Frequency	Band pass type 24dB filter slope, DSP process
Connectors	Input: A and B XLR-F/HIGH PASS and Full RANGE: A and B XLR-M
External Controls	Volume / DSP Processing / Signal Limit LED / Power on with Green LED / Lan / Phase / Stereo or Mono
Electronic Protections	Thermal / Convection-Fan / Overload / Lim / Compressor
Power Supply	Neutrik POWER CON® connector, 110-240V~50/60Hz Switchable
Enclosure Construction	Plywood cabiner, resistant black paint, metal grille with black foam, rubber feet
Suspension/Mounting	Integrated hardware for suspension in Line Array, One metal standard pole-mount, four handles
Dimensions (HxWxD)	620mm(24.41")×692mm(27.24")×713mm(28.07")
Net weight	74KG/163.14Lbs



11

Guarantee

Topp Pro guarantees the normal operation of the product against any defect of manufacture and / or vice of material, by the term of (12) months, counted as of the date of purchase on the part of the user, committing itself to repair or to change, to its election, without position some, any piece or component that will fail in normal conditions of use within the mentioned period.

This guarantee is valid if the original buyer will have to present/display this certificate properly sealed and signed by the selling house, accompanied by the corresponding invoice of purchase where it consisted the model and serial number of the acquired equipment.

The guarantee does not cover:

- Damages caused by the illegal use of the product, repair and/or nonauthorized modification conducted by people by **Topp Pro**.
- Damages caused by the connection of the equipment to other equipment different from the specified ones in the manual of use, or by bad connection to these last ones.
- Damages caused by electrical storms, blows and/or incorrect transport.
- Damages caused by excesses or falls of tension in the network or by connection to networks with a tension different from the required one by the unit.
- Damages caused by the presence of sand, acid of batteries, water, or any strange element inside the equipment.
- Deteriorations produced by the course of the time, use and/or normal wear of the unit.
- Alteration or absence of the serial number of factory of the equipment.

The repairs could only be carried out the authorized technical service by **Topp Pro**, that will inform about the term and other details into the repairs to take place according to this guarantee.

Topp Pro, will repair this unit in counted a term nongreater to 30 days as of the date of entrance of the unit to the Technical Service. In those cases in that due to the particularity of the spare part, outside necessary their import, the repair time and the viability of the same one will be subject to the effective norms for the import of parts, in which case one will inquire to the user about the term and possibility into repair.

With the object of its correct operation, and of the validity of this one guarantee, this product will have to be installed and to be used according to the instructions that are detailed in the manual associate or the package of the product.

This unit will be able to appear for its repair, next to the invoice of purchase (or any other proof where the date of purchase consists), to its authorized distributor **Topp Pro** or an authorized technical center on watch by **Topp Pro**.

Exclusion of damages:

THE RESPONSABILITY OF TOPP PRO BY ANY DEFECTIVE PRODUCT IS LIMITED THE REPAIR OR THE REPLACEMENT OF HE HIMSELF, TO TOPP OPTION PRO. IF WE CHOSE TO REPLACE THE PRODUCT, THE REPLACEMENT CAN BE A RECONDITIONATED UNIT. TOPP PRO WILL NOT BE RESPONSIBLE BY THE DAMAGES BASED ON THE LOST, INCONVENIENCE, LOSS OF USE, BENEFITS, LOST SAVINGS, BY THE DAMAGE TO OTHER EQUIPMENT OR OTHER ARTICLES IN THE USE SITE, OR BY ANY OTHER DAMAGE IF HE IS FORTUITOUS, CONSEQUENT OR OF ANOTHER TYPE, ALTHOUGH TOPP PRO HAS BEEN NOTICED OF THE POSSIBILITY OF SUCH DAMAGES.

Some states do not allow to the exclusion or the limitation to the fortuitous or consequent damages, so the aforesaid limitation can not be applied to you.

This guarantee gives specific legal rights him, you you can also have other right that varies of state to state.



TOPP PRO MUSIC GEAR

www.topppro.com

KS ARRAY
S E R I E S

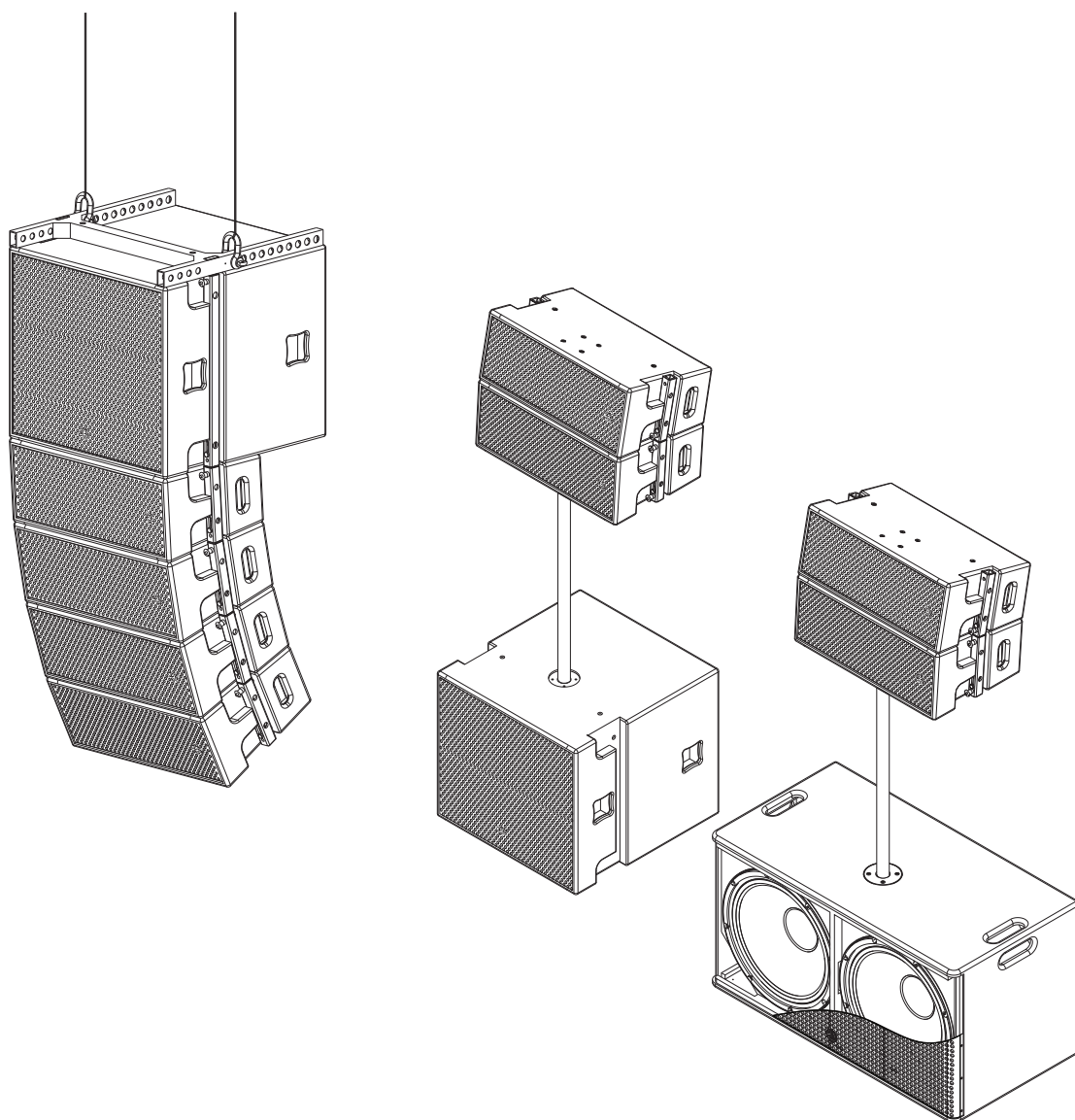


KS ARRAY

S E R I E S

Manual de Usuario

KS T28A / KS 218A SUB / KS LT118A SUB



Símbolos Relacionados con Seguridad



ATENCION
Para reducir el riesgo de incendio o choque eléctrico no exponga este aparato a la lluvia o humedad.

No remueva los paneles
En el interior del producto hay áreas en las que hay altos voltajes. No quite los paneles hasta desconectar el cable de la red principal de alimentación. Los paneles deben ser removidos solo por personal de servicio calificado. No hay partes útiles para el usuario en el interior.



Este símbolo siempre es utilizado para alertarle de la presencia de voltajes peligrosos dentro de ésta unidad. Estos voltajes pueden constituir suficiente riesgo de un choque eléctrico.



Este símbolo siempre es utilizado para alertarle de importantes instrucciones de operación o de mantenimiento. Por favor cuando lo vea, lea la instrucción.



Terminal de Tierra



AC Principal (Corriente Alterna)



Terminal Peligrosa Viva

ON: Denota que la unidad está encendida

OFF: Denota que la unidad está apagada

Advertencia: Describe precauciones que deben tomarse para prevenir la muerte o heridas del usuario.

Precaución: Describe las precauciones que deben ser observadas para prevenir daños en la unidad.

Advertencia

Fuente de Alimentación

Asegúrese de que el voltaje general es igual al voltaje del equipo antes de encender el aparato. No comprobarlo puede resultar en daños al equipo y al usuario. Desconecte el equipo ante la amenaza de tormenta eléctrica o cuando no vaya a usarse por largos períodos de tiempo.

Conexión Externa

La conexión de cableado con conectores vivos requiere que sea realizado por personal instruido o implica la utilización de cableado listo para usar. No usarlo implica riesgo de incendio o muerte.

Fusible

Para prevenir el riesgo de fuego o daños al producto, use solo el tipo de fusible recomendado en este manual. No ponga en cortocircuito el soporte del fusible. Antes de reemplazar el fusible, asegúrese que el producto está apagado y desconectado de la red de electricidad.

Conexión a Tierra

Antes de encender el equipo, asegúrese que está conectado a tierra. Esto prevendrá el riesgo de choque eléctrico. Nunca corte los cables internos o externos. Asimismo, nunca remueva la conexión a tierra.

Instrucciones de Operación

Este aparato no debe ser expuesto a salpicaduras o gotas y no se deben apoyar vasos con líquidos sobre el aparato.

No use este aparato cerca del agua.

Instale este equipo de acuerdo a las instrucciones del fabricante.

No instale el equipo cerca fuentes de calor, tales como radiadores, estufas o cerca de otros aparatos que producen calor.

No bloquee ningún orificio de ventilación. No coloque ninguna fuente de llamas vivas (por ejemplo: candelabros o velas) sobre el aparato.



No deposite ninguna parte de esta unidad en los basureros municipales. Utilice depósitos especiales para esos efectos.

ADVERTENCIA DE TRANSPORTE



Racks y Pedestales
El componente debe ser utilizado únicamente con racks o soportes recomendados por el fabricante. La combinación de un componente y rack debe moverse con cuidado. Detenciones rápidas, fuerza excesiva y superficies desparejas pueden causar que el componente, el rack o el pedestal vuelquen.

INSTRUCCIONES IMPORTANTES DE SEGURIDAD

- Lea estas instrucciones.
- Siga estas instrucciones.
- Guarde estas instrucciones.
- Tenga en cuenta todas las advertencias.
- Use solo accesorios especificados por el fabricante.

Cable de alimentación y conexión

No altere el cable y el enchufe. Un enchufe polarizado tiene 2 patas con una más ancha que la otra. Un enchufe con toma a tierra posee 2 patas y una tercera es la conexión a tierra. Son diseñados teniendo en cuenta su seguridad. No quite la conexión a tierra!!

Conecte el equipo a un tomacorriente cercano, de fácil acceso y con protección a tierra.

Si su enchufe no entra en su tomacorriente requiera la ayuda de un electricista calificado.

Proteja al cable y al enchufe de cualquier presión física para evitar riesgo de choque eléctrico.

No coloque objetos pesados sobre el cable de alimentación. Esto puede causar choque eléctrico o fuego.

Limpieza

De ser necesario, sople el polvo del producto o utilice un paño seco. No use solventes tales como: bencina, alcohol u otro fluido muy inflamable y volátil para limpiar el aparato.

Servicio Técnico

Para servicio técnico consulte solo con el personal de servicio calificado. Para reducir el riesgo de choque eléctrico, no realice ningún de tipo de servicio más allá del descrito en este manual.

Atención

La exposición a niveles de sonido extremadamente altos puede ocasionar la pérdida de audición de manera irreversible.

La Administración de Seguridad y Salud Ocupacional del gobierno de los Estados Unidos (OSHA), ha especificado los niveles permitidos de exposición. Estos se muestran a continuación:

Horas por día	SPL	Ejemplo
8	90	Concierto pequeño
6	92	Tren
4	95	Subterráneo
3	97	Monitoreo de alto nivel
2	100	Concierto de música clásica
1.5	102	
1	105	
0.5	110	
0.25 o menor	115	Concierto de Rock

Según la OSHA la exposición excesiva a altos niveles de SPL puede provocar sordera. Para prevenirla, recomienda que el personal que trabaja que equipos capaces de generar altos SPL, utilice protección auditiva cuando esos equipos están en operación.

Tabla de contenido

1. INTRODUCCION	4
2. CARACTERISTICAS	4
3. DATOS UTILES	4
4. DESCRIPCION DEL PANEL TRASERO	5
5. DIAGRAMAS DE CONEXIÓN	8
6. INSTALACION Y AJUSTE DE LOS CONECTORES	10
7. PARTES DE LA ESTRUCTURA	13
8. RESPUESTA DE FRECUENCIA	14
9. CONFIGURACION DE ALAMBRADO	15
10. ESPECIFICACIONES TECNICAS	16
11. GARANTIA	18
12. NOTAS	19

- Los **KS T28A**, **KS 218A SUB**, **KS LT118A SUB** son gabinetes activos de uso profesional, ellos pueden ser utilizados en los siguientes ambientes electro- magnéticos: Residencial, comercial, industrial y urbano.
- Cuando dos o más **KS T28A** son alineados juntos, estos podrían inducir fuertes picos de corriente de entrada. El amplificador podría entrar en protección de fuertes impactos de corriente con la función modo de espera. Esta función se activará automáticamente 1 segundo después de que la señal de entrada sea cerca de -30dB y la señal del DSP se restablecerá cerca de 5 segundos.

No se olvide de visitar nuestro sitio web: www.topppro.com
para obtener más información de este y otros productos de **Topp Pro**.

1

Introducción

Gracias por escoger los productos de **TOPP PRO**. El **KS ARRAY** es una serie de gabinetes activos que han sido diseñados para proveer una excelente solución de sonido de alta calidad con una construcción robusta, componentes de alta eficiencia y lo mejor a muy bajo costo.

La serie **KS ARRAY** es liviana de peso debido a que los amplificadores utilizados son de clase D.

El satélite **KS T28A** utiliza un amplificador de 650 watts continuos clase D y el sub bajo **KS 218A SUB** utiliza un amplificador de 2000 watts continuos clase D. Esta serie rompe los paradigmas tradicionales sobre gabinetes de sonido, cada modelo contiene un driver de 1.4" de bobina y bocinas de alta calidad y eficiencia para el tamaño del sistema.

El procesamiento DSP que se emplea en todo momento ofrece niveles de claridad sónica y la de salida total, que desafían el tamaño y peso del sistema. Materiales de primera calidad, avanzados procesos de construcción y múltiples opciones de montaje y suspensión permiten una amplia gama de aplicaciones en instalaciones y aplicaciones en vivo. Gran orgullo y cuidado se coloca en la entrega de productos con excelente rendimiento, especificaciones y confiabilidad.

El **KS LT118A SUB** es un sub bajo equipado con una sola bocina a la medida de 18" de alto poder con una bobina de 4" doble tipo sándwich de cobre y formada de fibra de vidrio, doble araña, magneto de cerámica y un cono resistente al agua. El gabinete está hecho con plywood de 18mm de múltiples pliegos, con acabado en pintura resistente a los rayones, contiene una parrilla metálica para protección, cuatro agarraderas y un recibidor metálico para pedestal y 4 ruedas.

Cada producto de **TOPP PRO** audio es estrictamente probado y cumple con normas muy estrictas.

Por favor lea cuidadosamente este manual antes de comenzar la operación!

Gracias nuevamente por elegir serie **KS ARRAY** de **TOPP PRO**.

2

Características

KS T28A / KS 218A SUB / KS LT118A SUB

- Amplificador clase D Bi-Amplificado con 650W + 150W para el **KS T28A**, 2000W para el **KS 218A SUB** y 2800W para el **KS LT118A SUB**.
- Conectores: Entrada: Izquierdo Mono (Combo) / derecho (XLR-F) Salida: izquierda mono / derecha (XLR-M), lazo-izquierdo / mono-derecho (XLR-M) balanceado 15K ohmios
- Control de volumen / Encendido con luz verde / clip limitador con luz roja / levantado de tierra / Selector de entrada / Selector de encendido de luz frontal / Bandeja para módulo de control IP (Opcional)
- Protecciones: Térmica / Ventilador / Sobrecarga / Limitador digital / Compresor
- Conector Neutrik POWER CON, 110-120V/220-240 – 50/60Hz Seleccionable
- Gabinete de Plywood con acabado en pintura resistente, parrilla metálica con espuma, soportes de hule y doble agarradera en el **KS T28A** y **KS 218A SUB** mientras que para el **KS LT118A SUB** cuatro agarraderas
- Soporte metálico para pedestal

3

Datos Utiles

Por favor anote aquí el número de serie para una futura referencia.

Número de Serie:

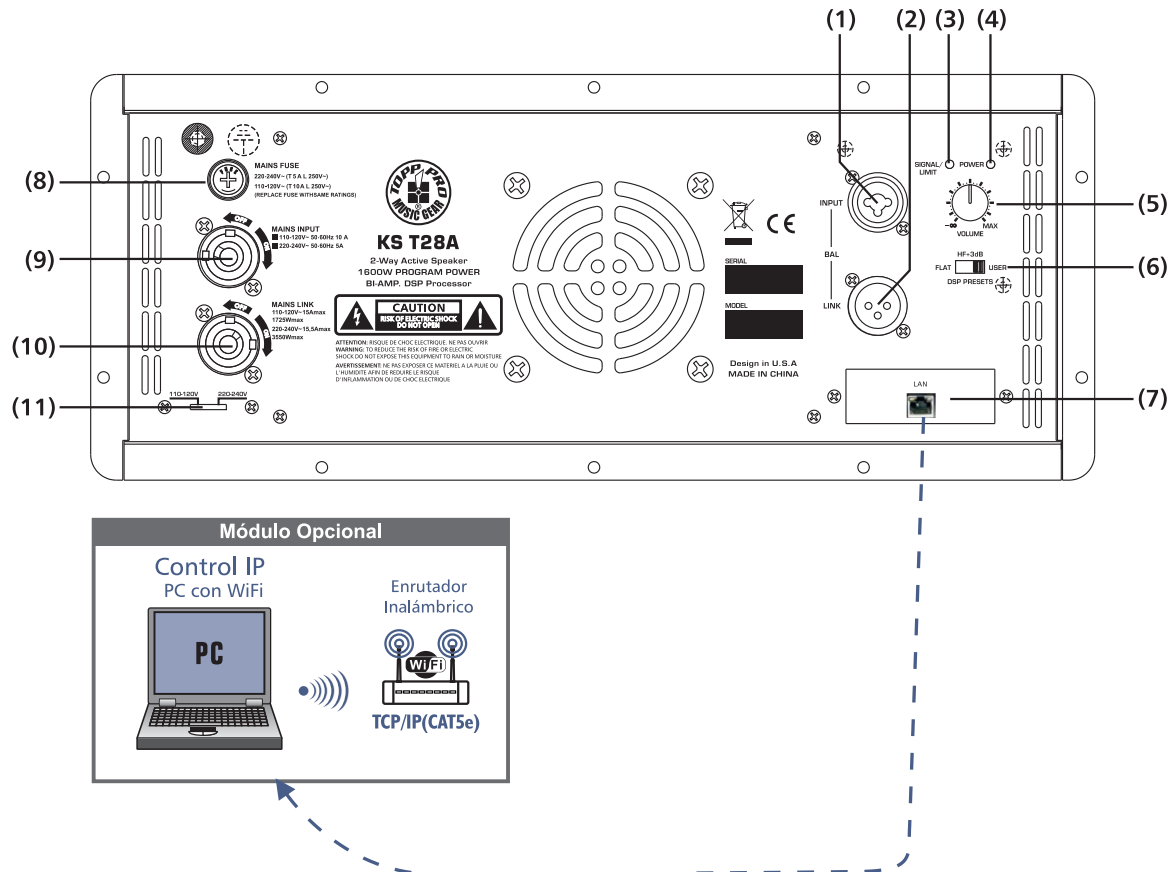
Fecha de Compra:

Adquirido en:

Descripción del Panel Trasero

4

Satélite Activo KS T28A

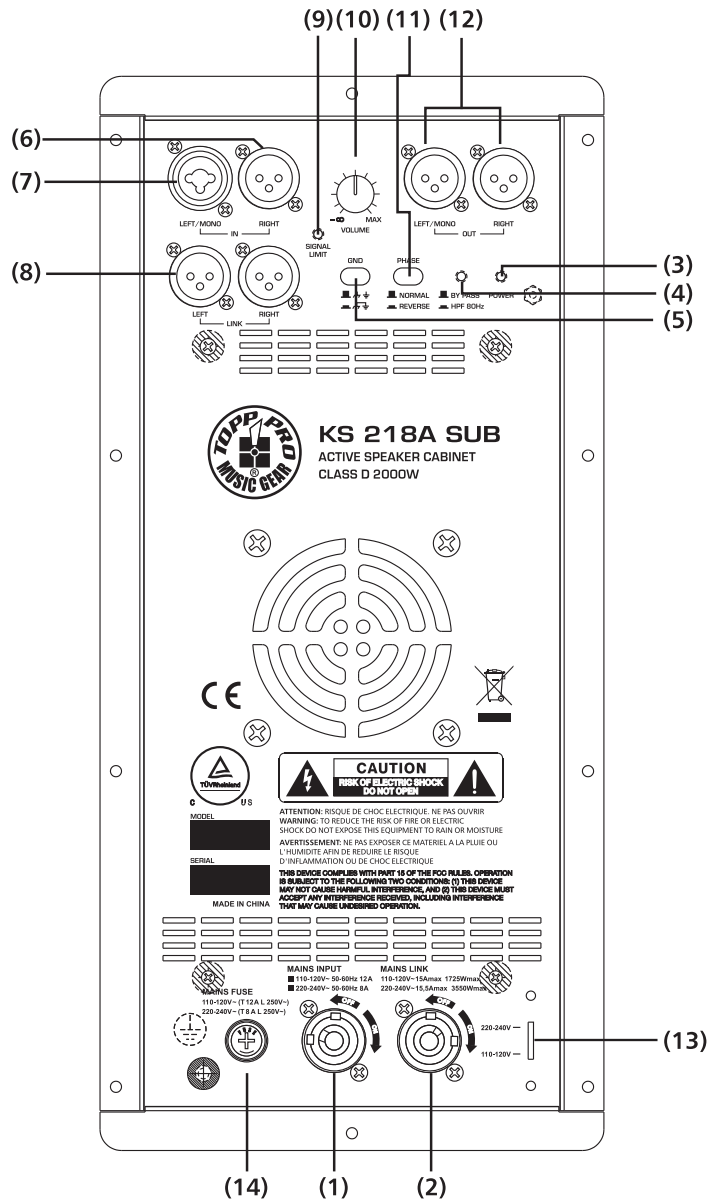


- 1) Entrada de Línea con conector Combo
- 2) Conector para lazo XLR
- 3) Indicador de "Clip"
- 4) Indicador de Encendido
- 5) Control de Volumen
- 6) Selector de "Preset": Flat / HF+ 3dB / User (Sonido Personalizado)
 - a. Flat: Es recomendado para el uso de música en vivo haciendo el sonido más disfrutable.
 - b. HF + 3dB: Esta posición incrementa las frecuencias altas en +3dB
 - c. User: En esta posición se accesa el ecualizador interno de tal forma que el usuario podrá cambiar la sintonía del gabinete según desee o según sea la necesidad acústica del lugar donde se utiliza el sistema. Esto se puede hacer conectando el gabinete al PC vía LAN. De fábrica la curva de sonido para el "User" es la misma que "FLAT", una vez realizados los cambios, estos se guardarán automáticamente dentro del DSP del gabinete.
- 7) Bandeja para el módulo de control IP (Opcional)
- 8) Fusible principal
- 9) Entrada principal de corriente
- 10) Lazo para salida de corriente
- 11) Selector de voltaje de entrada.

4

Descripción del Panel Trasero

Sub Bajo Activo KS 218A SUB

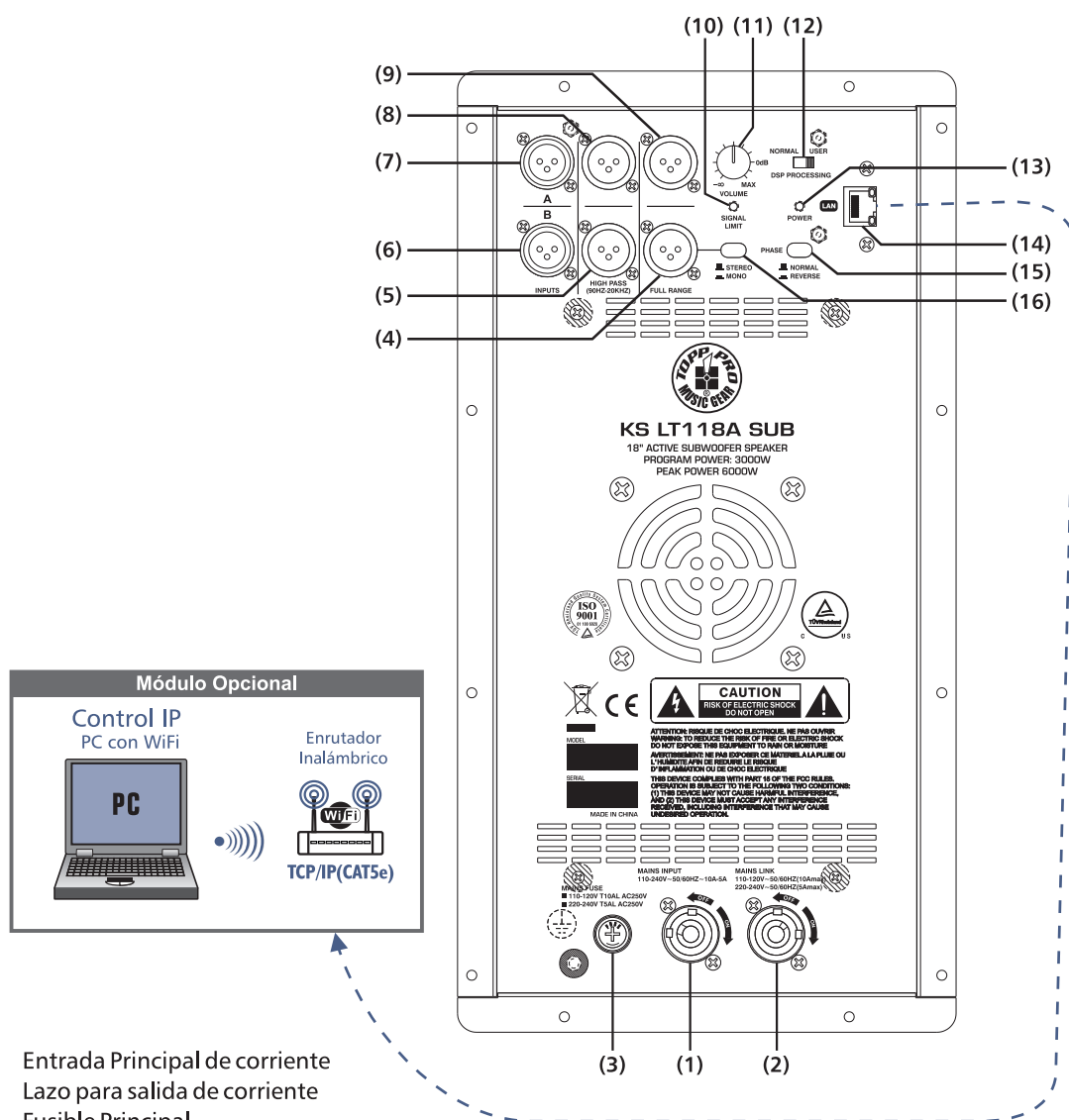


- 1) Entrada Principal de corriente
- 2) Lazo para salida de corriente
- 3) Indicador de actividad y de encendido en color verde
- 4) Selector de filtro paso alto o de desvío (bypass)
- 5) Selector de tierra (GND)
- 6) Conector de entrada derecha de línea en XLR
- 7) Conector de entrada izquierdo de línea tipo combo
- 8) Conector derecho / izquierdo para lazo XLR
- 9) Indicador de presencia de señal y picos
- 10) Control de volumen principal
- 11) Selector de polaridad Normal / Reversar
- 12) Conector de salida de línea Izquierda / Derecha XLR
- 13) Selector de Voltaje
- 14) Fusible Principal

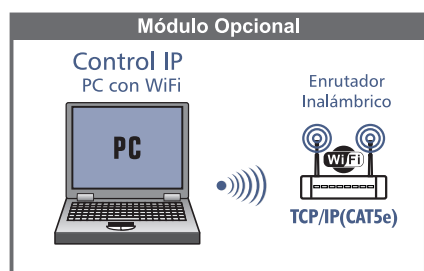
Descripción del Panel Trasero

4

Sub Bajo Activo KS LT118A SUB



- 1) Entrada Principal de corriente
- 2) Lazo para salida de corriente
- 3) Fusible Principal
- 4) Salida rango completo canal B, conector XLR
- 5) Salida paso alto canal B, conector XLR
- 6) Entrada canal B, conector XLR
- 7) Entrada canal A, conector XLR
- 8) Salida paso alto canal A, conector XLR
- 9) Salida rango completo canal A, conector XLR
- 10) Indicador de Señal/ Limitador color rojo
- 11) Control de volumen principal
- 12) Selector de "Preset": Normal/ User (Sonido Personalizado)
 - a. Normal: Es un ajuste de fábrica con un corte de 80Hz que ajusta perfectamente con los satélites T28A.
 - b. User: En esta posición se accesa el ecualizador interno de tal forma que el usuario podrá cambiar la sintonía del gabinete según desee o según sea la necesidad acústica del lugar donde se utiliza el sistema. Esto se puede hacer conectando el gabinete al PC vía LAN. De fábrica la curva de sonido para el "User" es la misma que "Normal", una vez realizados los cambios, estos se guardarán automáticamente dentro del DSP del gabinete.
- 13) Indicador de encendido, color verde
- 14) Conector RJ45 LAN para el control IP
- 15) Selector de polaridad Normal/ Reversar
- 16) Selector Estero/Mono sección de rango completo



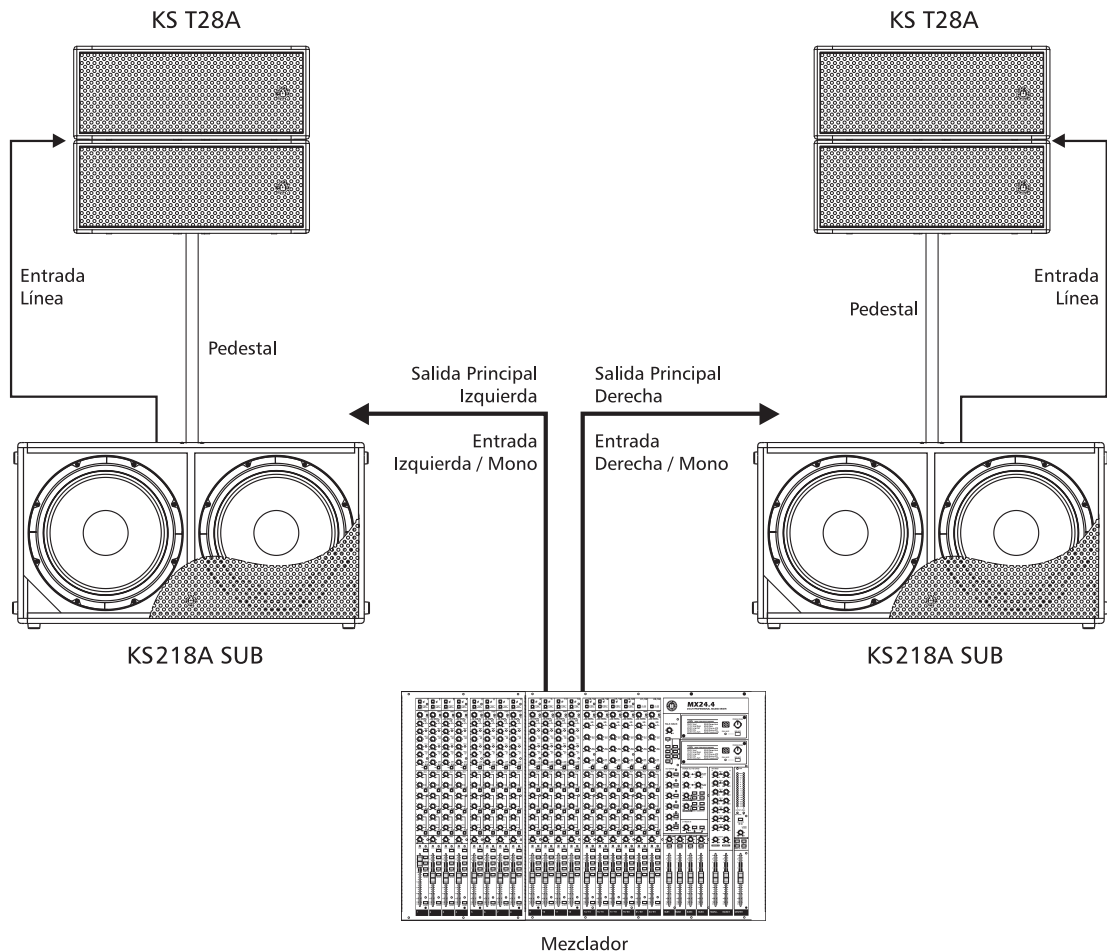
5

Diagramas de Conexión

Antes de hacer cualquier conexión, asegúrese de que todo su equipo esté apagado. Además de que todos los controles de volumen estén totalmente abajo.

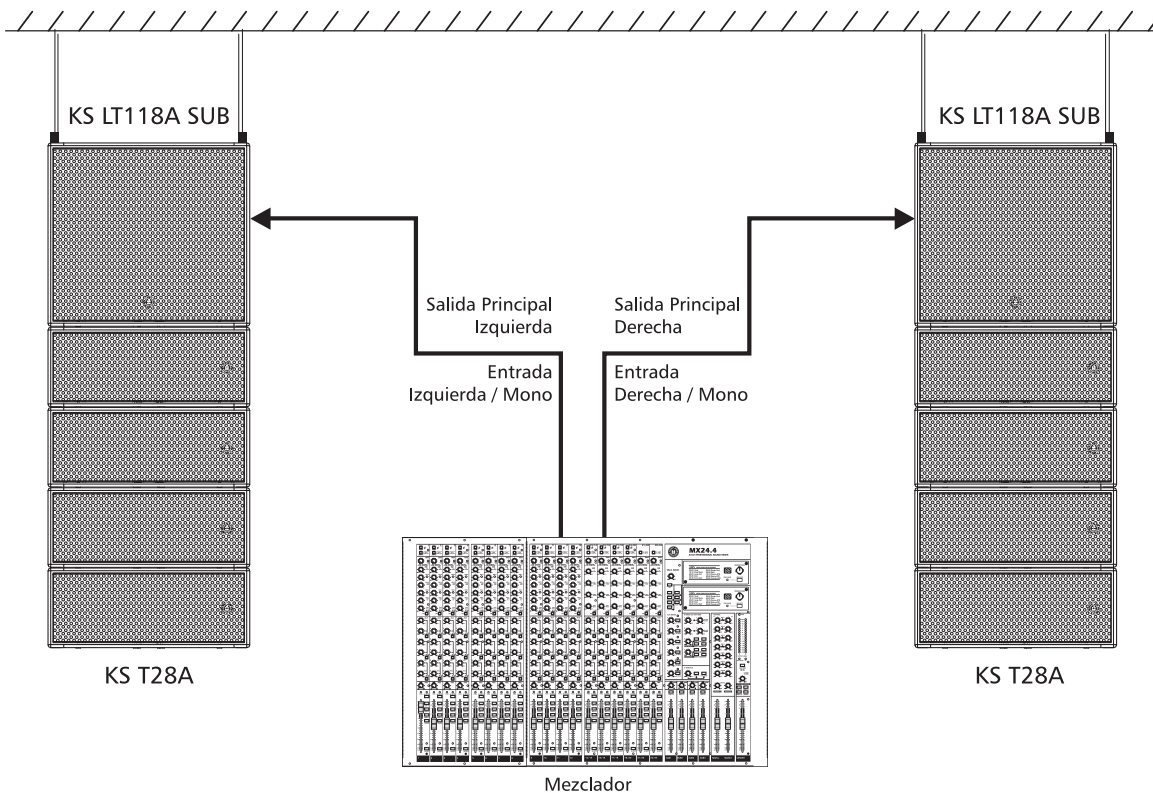
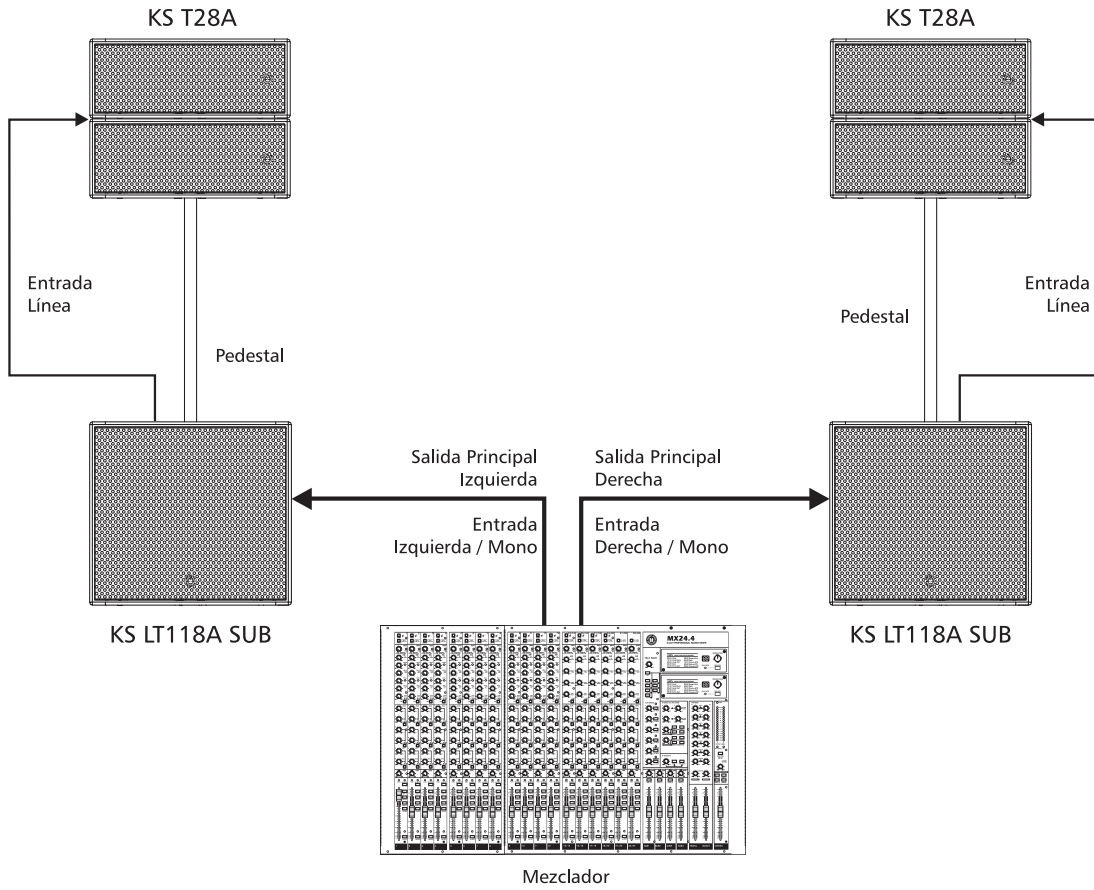
Sistema de 4 Satélites Activos con 2 Sub Bajos Activos

- 1) Antes de hacer cualquier conexión, asegúrese de que todo su equipo esté apagado. Además de que todos los controles de volumen estén totalmente abajo.
- 2) Conecte uno de los lados del cable de señal a la salida de su mezclador izquierda / derecha con conector XLR y el otro lado del cable a la entrada de línea en el conector XLR del sub bajo activo.
- 3) Conecte otro cable desde la salida "Left/Right" o desde el "Link Left/Right" en el sub bajo a las respectivas entradas de los satélites.
*Si se utiliza la salida "Left/Right" en el sub bajo, se podrá activar la función de filtro paso alto, por medio del selector correspondiente, el cual envía una señal con un corte de 80Hz a los satélites.
- 4) Conecte el cable de corriente eléctrica.
- 5) Encienda su mezclador primero y después los gabinetes activos.
- 6) Suba el control de volumen de su gabinete activo hasta un 75%.
- 7) Utilice la función del PFL para ajustar la entrada del canal del mezclador y manipule el volumen de su equipo desde el control maestro.
- 8) Después de utilizar el equipo, apague primero su amplificador de poder y después el mezclador



Diagramas de Conexión

5

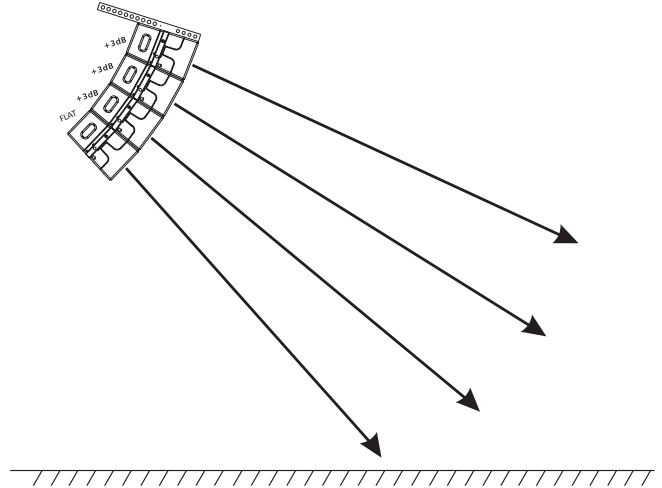


6

Instalación y Ajuste de los Conectores

Configuración de Arreglo Tiro Medio

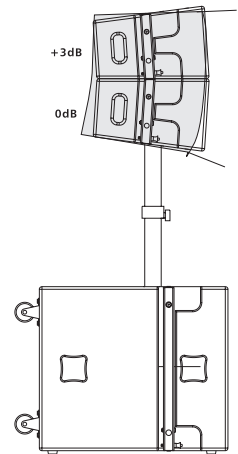
El siguiente ejemplo es una aplicación del HFC para cuatro **KS T28A** en línea. En esta configuración en particular el HFC en los primeros 3 gabinetes está puesto en +3dB mientras que el último gabinete está puesto en FLAT.



Configuración de Arreglo Tiro Corto

Este es un ejemplo de un arreglo utilizando dos gabinetes **KS T28A** para un sistema pequeño donde el HFC está puesto en +3dB para el gabinete superior y 0dB para el gabinete inferior.

NOTA: Cuando se utiliza un tubo para levantar los satélites **KS T28A**, no coloque más de dos unidades, además asegúrese de utilizar estructuras de buena calidad para evitar accidentes.



Estructura

La siguiente tabla muestra el máximo de gabinetes que se pueden colgar con la estructura del **KS ARRAY FB-1** con diferentes configuraciones. Esta tabla mantiene un diseño de fábrica con la seguridad de configuración necesaria.

Máxima Cantidad de Satélites KS T28A en Línea	2	3	4	5	6
Máxima Cantidad de KS LT118A SUB en Línea	1	1	1	0	0

Aviso de Seguridad para Suspensión del Sistema

Nunca exceda la cantidad recomendada de gabinetes contenida en esta tabla.

Tenga en cuenta las regulaciones y requerimientos del país o lugar donde se va a instalar el sistema.

El ensamble correcto asociado a la calidad de la estructura es un requerimiento indispensable para las normas de seguridad.

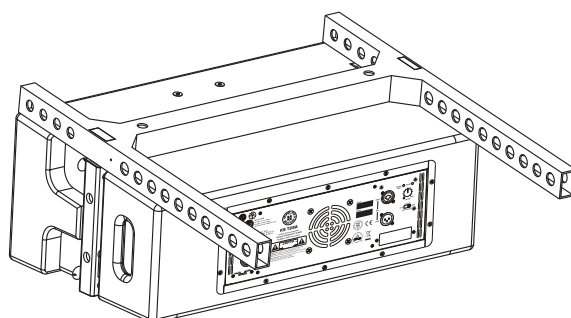
Se recomienda al menos dos puntos de anclaje para cada marco de la estructura que se vaya a colgar.

Instalación y Ajuste de los Conectores

6

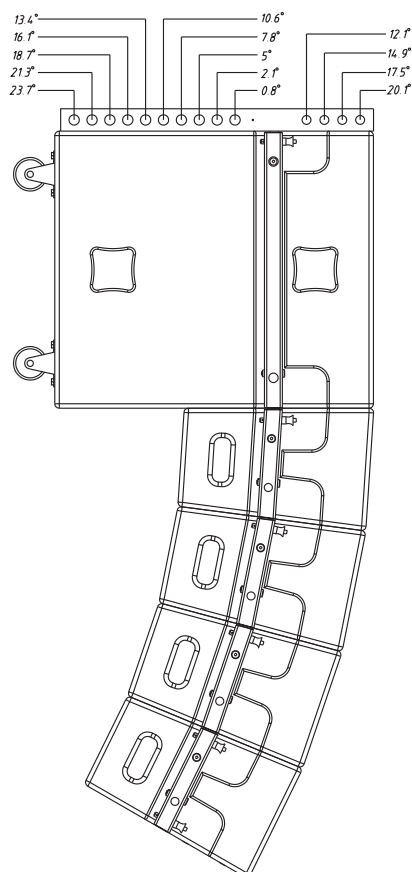
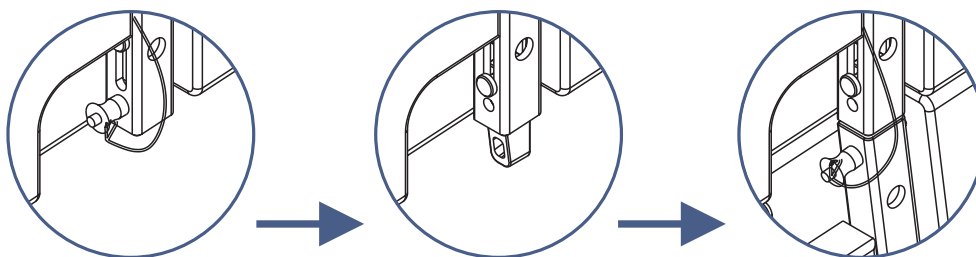
Conexión del Marco Estructura

El marco **FB-1** se conecta a los gabinetes **KS T28A** o al **KS LT118A SUB** fácilmente soltando los pines.



Entrelazando dos Gabinetes Juntos

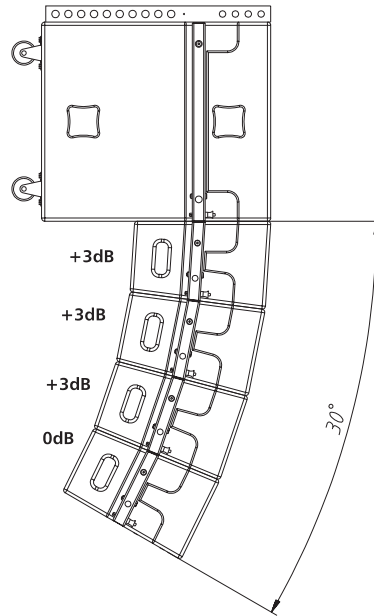
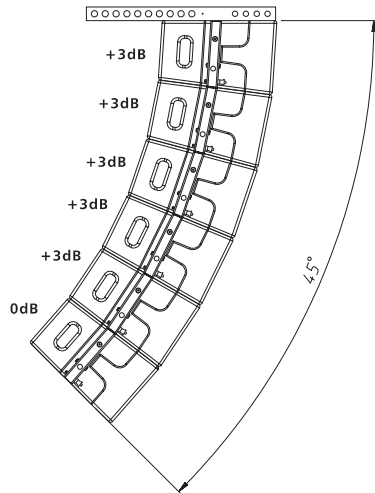
En cualquier momento dos o más **KS T28A** pueden ser entrelazados asegurándose mecánicamente uno con el otro. Ver detalles a continuación.



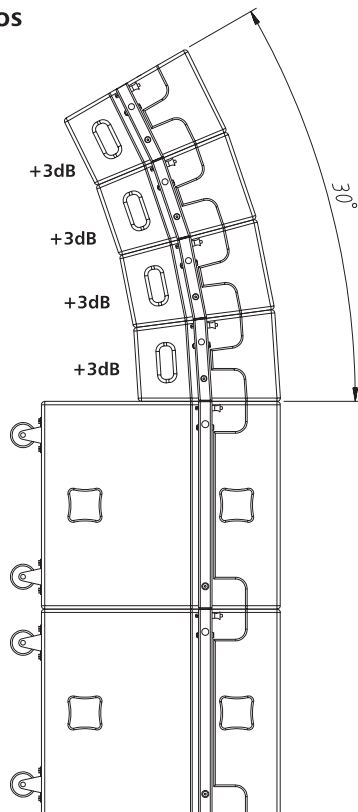
6

Instalación y Ajuste de los Conectores

Implementación del sistema en suspensión y de compresión Suspendidos

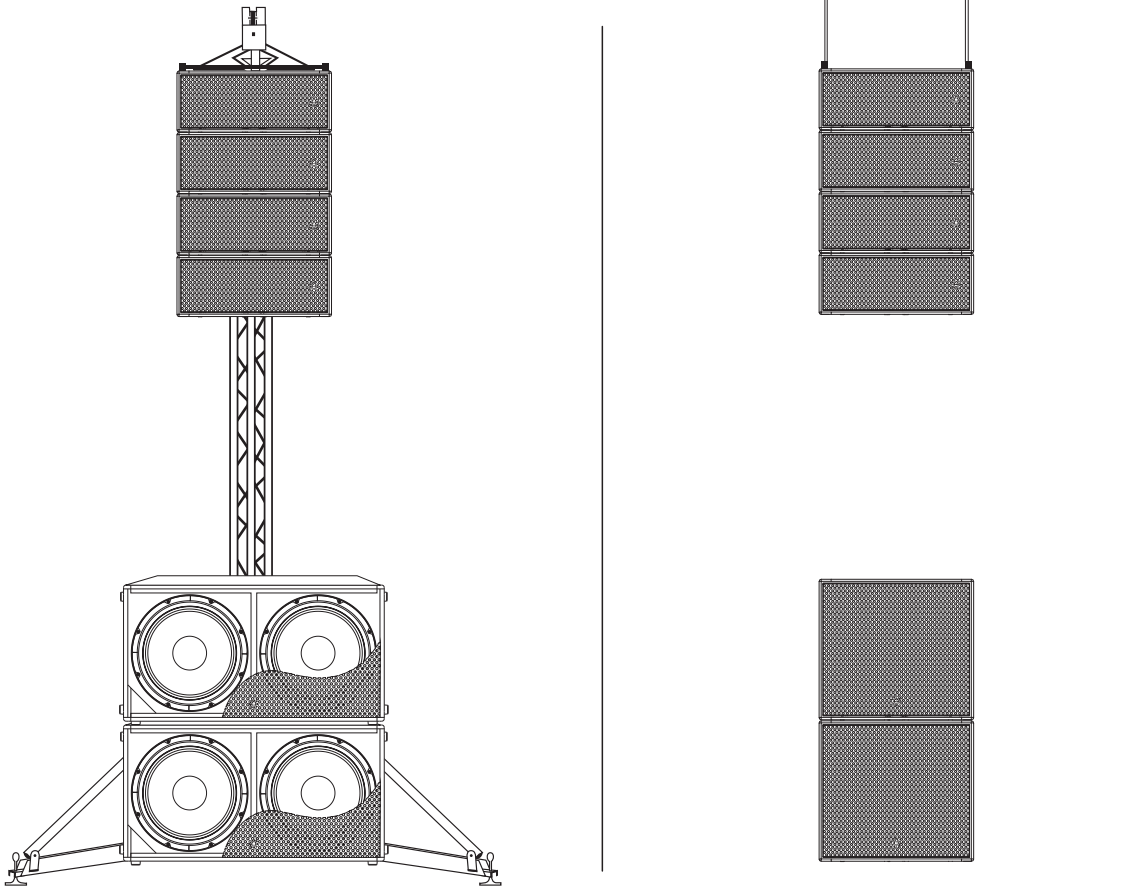


Apilados



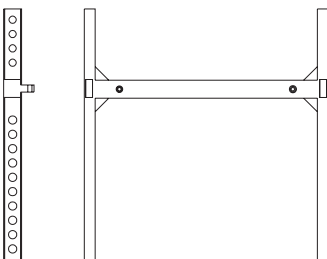
Instalación y Ajuste de los Conectores

6

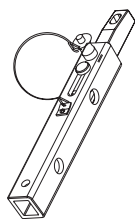


Partes de la Estructura

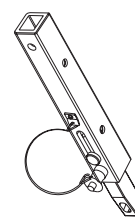
7



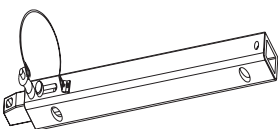
Estructura en forma de H



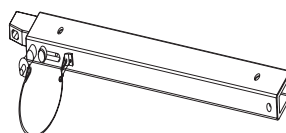
Soporte Izquierdo
para KS T28A



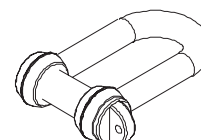
Soporte Derecho
para KS T28A



Soporte Izquierdo
para KS LT118A SUB



Soporte Derecho
para KS LT118A SUB

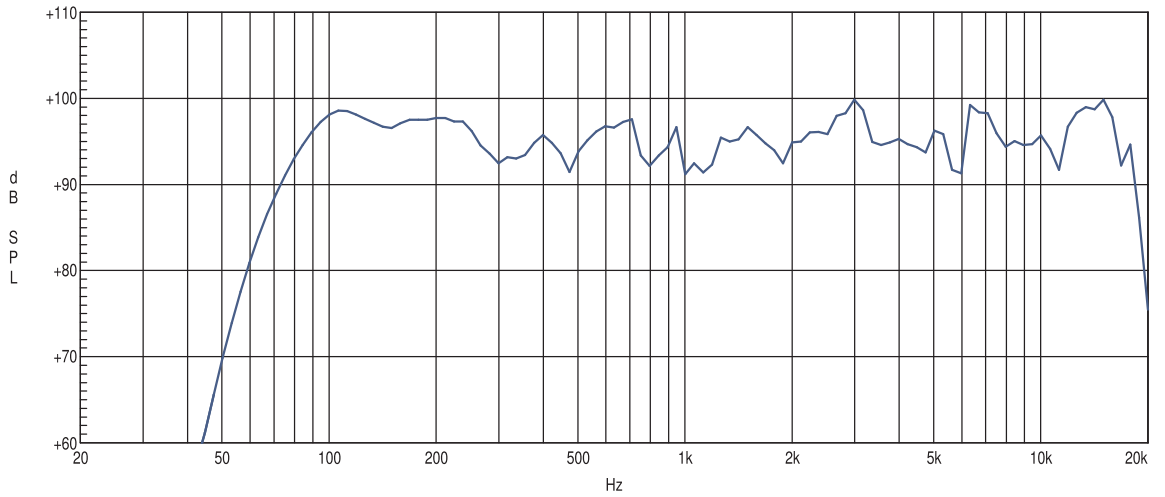


Tornillo en
forma de U

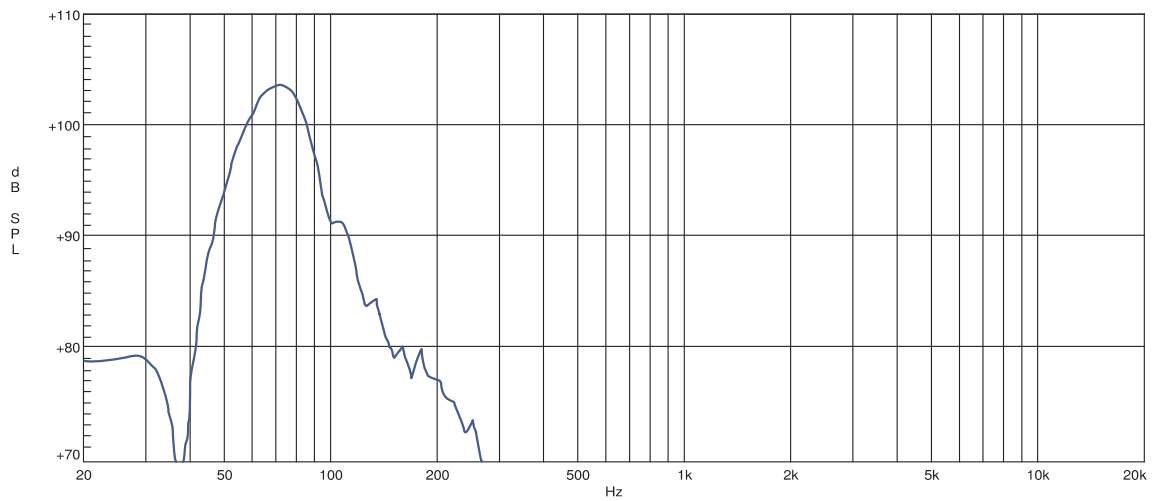
8

Respuesta de Frecuencia

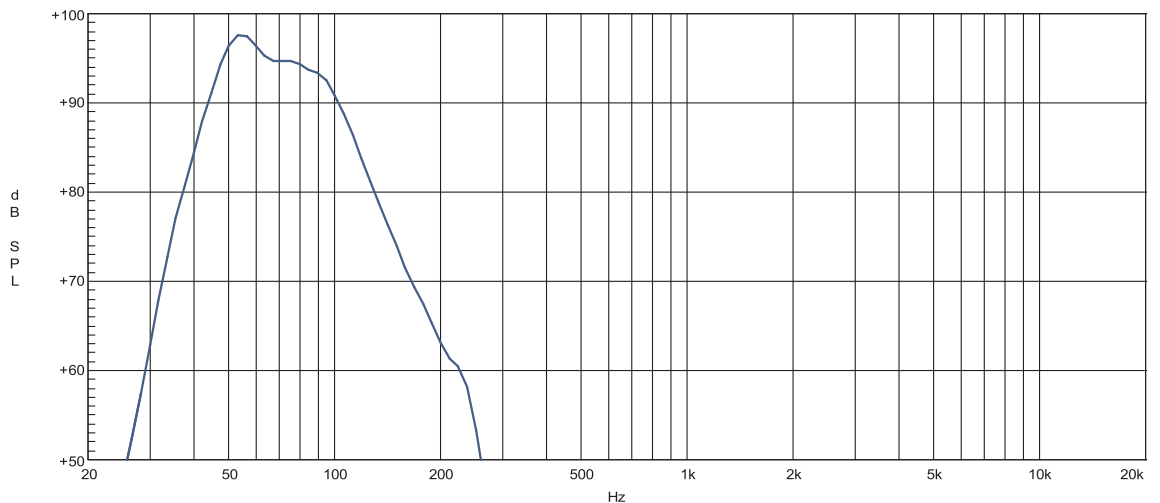
KS T28A



KS 218A SUB



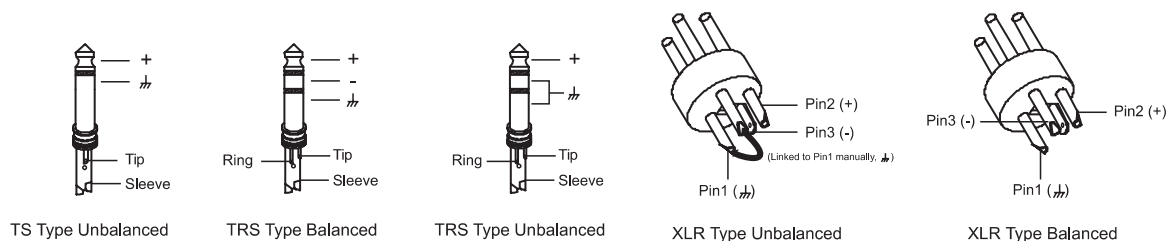
KS LT118A SUB



Configuración de Alambrado

9

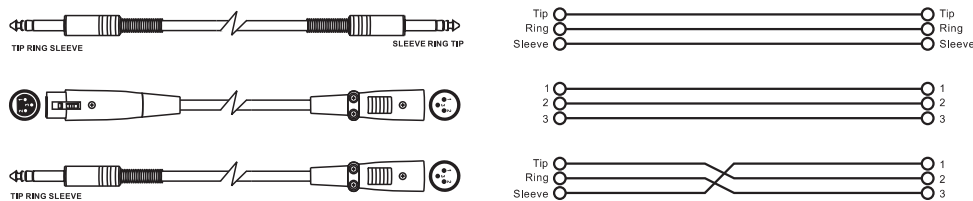
Cualquiera de los dos conectores, ya sea el TRS de 1/4" o el XLR, pueden alambirse en modo no balanceado o balanceado, dependiendo de la necesidad de trabajo. Los siguientes son unos ejemplos de cómo se pueden alambiar estos conectores:



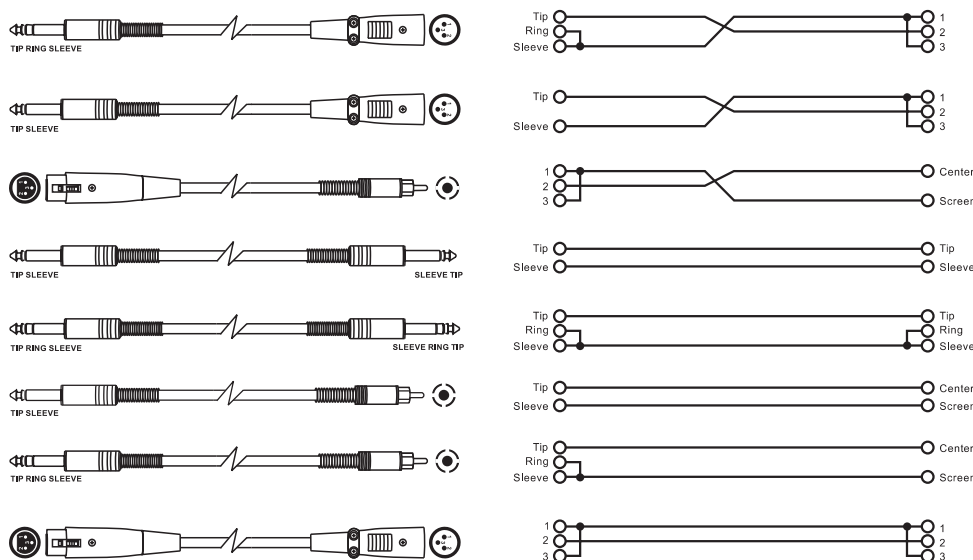
Conexión Línea de Entrada

Como se mencionó antes, esta unidad cuenta con varios tipos de conectores para diferentes aplicaciones. Los siguientes son algunos ejemplos de conexiones que se utilizan como interfase entre diferentes equipos:

• Balanceado

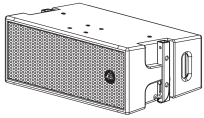


• No Balanceado

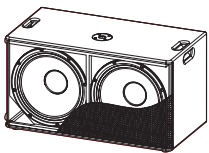


10

Especificaciones Técnicas



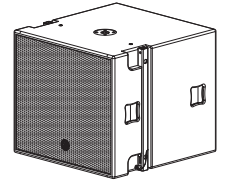
Modelo Activo	KS T28A
Tipo de Sistema	2 vías activo con DSP
Transductor de Bajos	2 bocinas de 8" con 2" de bobina
Transductor de Altos	2 drivers con salida de 1" de neodimio con bobina de titanio en 1.4"
Cobertura Horizontal	100° nominales (una unidad)
Cobertura Vertical	7.5° variable según la configuración del arreglo
Respuesta de Frecuencia (-6dB)	65Hz - 20KHz
Corte de Crossover	2.0KHz con filtro de 24dB de caída, procesador digital DSP
SPL Máximo	129 dB Máx.
Potencia de Salida	800W continuos BI-AMP (Clase D 650W para bajos, clase AB 150W para altos)
Conectores de Entrada	Entrada de Línea tipo combo - XLR para lazo
"Preset" DSP	Flat / HF+3dB / User (Sonido Personalizado)
Entrada de Línea	Conector tipo Combo -6dBu
Controles Externos	Control de volumen, conector de entrada de corriente Neutrik POWER CON® (Gris) ofrece enlace de fuente de poder principal, indicador de encendido color verde, indicador de "Clip" limitador en color rojo, Módulo de control IP (Opcional)
Protección Electrónica	Térmica, ventilador convencional, sobre carga, compresor-limitador digital
Fuente de Poder	Conector Neutrik POWER CON®, 110-120V / 220-240V - 50/60 Hz Seleccionable
Suspensión/ Montaje	Estructura integrada para suspensión en el arreglo lineal, doble soporte para pedestal y doble agarradera
Construcción del Gabinete	Plywood de 18mm con acabado en pintura, parrilla metálica con espuma interna
Dimensiones (Al. x An. x Fon.)	1271.5 x 692 x 423.5 mm (10.7" x 27.25" x 16.7")
Peso Neto	29.1Kg / 64.15Lbs



Modelo Activo	KS 218A SUB
Tipo de Sistema	Sub Bajo Activo
Potencia de Salida	2000W clase D
Woofer	2 x 18" con Bobina Doble de 3". Larga Excursión
SPL Máximo	133dB
Crossover Activo	Tipo pasa banda en 12dB/oct. Procesador Análogo
Respuesta de Frecuencia (-6dB)	De 35Hz hasta 120Hz
Conectores de Entrada	Entrada Izquierda Mono (Combo) / Derecha (XLR-F) / Salidas Izquierda Mono/ Derecha (XLR-M) / Lazo Izquierda / Derecha (XLR-M)
Controles Externos	Volumen / Selector de Fase / HPF-100Hz para Satelites o By-Pass / Encendido con luz Verde / Limitador con luz Roja y Tierra
Protección	Térmica, ventilador, sobre carga y Compresor-Limitador
Fuente de Poder	115V/230V -50Hz/60Hz Seleccionable
Construcción del Gabinete	Plywood, Parrilla de Metal y soportes de Hule
Montaje	Un recibidor metálico para un tubo de extensión estandar
Dimensiones (Al. x An. x Fon.)	535 x 518 x 1000mm (21.06" x 20.41" x 52.36")
Peso Neto	46.64kg / 102.82Lbs.
Volumen	15.887CFT

Especificaciones Técnicas

10



Modelo Activo	KS LT118A SUB
Tipo de Sistema	Sub Bajo Activo
Potencia de Salida	2800W programa, 5600W pico amplificador clase D
Woofers	Bocina de 18" con Bobina Doble de 3". Larga Excursión
SPL Máximo	132dB
Crossover Activo	Tipo pasa banda en 24dB/oct. Control por DSP
Respuesta de Frecuencia (-6dB)	De 38Hz hasta 120Hz
Conectores de Entrada	Entrada: A y B con XLR-F / Paso Alto y Rango Completo: A y B XLR-M
Controles Externos	Volumen / Procesador DSP / Indicador de Señal y Limitación / Encendido con luz Verde / Conector LAN / Fase / Estéreo o Mono
Protección	Térmica, ventilador, sobre carga y Compresor-Limitador
Fuente de Poder	Conectores tipo "Power Con", 110V ó 230V - 50Hz/60Hz
Construcción del Gabinete	Plywood, Pintura resistente, Parrilla de Metal con Espuma y soportes de Hule
Montaje	Estructura Integrada para suspensión en línea. Un recibidor metálico para pedestal de extensión estandar. Cuatro agarraderas.
Dimensiones (Al. x An. x Fon.)	620 x 692 x 713mm (24.41" x 27.24" x 28.07")
Peso Neto	74kg / 163Lbs.

11

Garantía

Topp Pro garantiza el normal funcionamiento del producto contra cualquier defecto de fabricación y/o vicio de material, por el término de (12) meses, contados a partir de la fecha de compra por parte del usuario, comprometiéndose a reparar o cambiar, a su elección, sin cargo alguno, cualquier pieza o componente que fallare en condiciones normales de uso dentro del período mencionado.

Para que ésta garantía sea válida, el comprador original deberá presentar este certificado debidamente sellado y firmado por la casa vendedora, acompañado por la correspondiente factura de compra donde constará el modelo y número de serie del equipo adquirido.

La garantía no cubre:

- Daños ocasionados por el uso indebido del producto, reparación y/o modificación efectuados por personas no autorizadas por **Topp Pro**.
- Daños ocasionados por la conexión del equipo a otros equipos distintos de los especificados en el manual de uso, o bien por mala conexión a estos últimos.
- Daños ocasionados por tormentas eléctricas, golpes y/o transporte incorrecto.
- Daños ocasionados por excesos o caídas de tensión en la red o por conexión a redes con una tensión distinta a la requerida por la unidad.
- Daños ocasionados por la presencia de arena, ácido de pilas, agua, o cualquier elemento extraño en el interior del equipo.
- Deterioros producidos por el transcurso del tiempo, uso y/o desgaste normal de la unidad.
- Alteración o ausencia del número de serie de fábrica del equipo.

Las reparaciones solamente podrán ser llevadas a cabo el servicio técnico autorizado por **Topp Pro**, que informará acerca del plazo y demás detalles de las reparaciones a efectuarse conforme a esta garantía.

Topp Pro reparará esta unidad en un plazo no mayor a 30 días contados a partir de la fecha de entrada de la unidad al Servicio Técnico. En aquellos casos en que debido a la particularidad del repuesto, fuera necesaria su importación, el tiempo de reparación y la viabilidad de la misma estarán sujetos a las normas vigentes para la importación de partes, en cuyo caso se informará al usuario acerca del plazo y posibilidad de reparación.

A efectos de su correcto funcionamiento, y de la validez de ésta garantía, este producto deberá ser instalado y utilizado de acuerdo a las instrucciones que se encuentran detalladas en el manual adjunto o en el envase del producto.

Esta unidad podrá presentarse para su reparación, junto a la factura de compra (o cualquier otro comprobante donde conste la fecha de compra), a su distribuidor autorizado **Topp Pro** o a un centro de servicio técnico autorizado por **Topp Pro**.

Exclusión de daños:

LA RESPONSABILIDAD DE TOPP PRO POR CUALQUIER PRODUCTO DEFECTUOSO SE LIMITA A LA REPARACIÓN O AL REEMPLAZO DEL MISMO, A OPCIÓN DE TOPP PRO. SI ELEGIMOS SUBSTITUIR EL PRODUCTO, EL REEMPLAZO PUEDE SER UNA UNIDAD REACONDICIONADA. TOPP PRO NO SERÁ RESPONSABLE POR LOS DAÑOS BASADOS EN LA INCONVENIENCIA, PÉRDIDA DE USO, BENEFICIOS PERDIDOS, AHORROS PERDIDOS, POR EL DAÑO A OTROS EQUIPO O A OTROS ARTÍCULOS EN EL SITIO DE USO, O POR NINGUN OTRO DAÑO SI ES FORTUITO, CONSECUENTE O DE OTRO TIPO, AUNQUE TOPP PRO HAYA SIDO ADVERTIDO DE LA POSIBILIDAD DE TALES DAÑOS.

Algunos países o estados no permiten la exclusión o la limitación a los daños fortuitos o consecuentes, así que la limitación antedicha puede no aplicarse a usted. Esta garantía le da derechos legales específicos, usted puede también tener otros derechos que varían de estado a estado o de país a país.



TOPP PRO MUSIC GEAR

www.topppro.com

KSARRAY
S E R I E S

NF04678-1.0